

INDUSTRIAL AUTOMATION

Brad® mPm® DIN VALVE CONNECTORS

*Conform to industry standard EN 175301-803
(formerly DIN 43650)*



Find the Latest Innovations and Information **at molex.com**

For the most in-depth and up-to-date information on all our products, visit molex.com. It's designed to help you get more done in less time with advanced search capabilities, 3D models, product specifications, easy sample ordering and more.



molex.com provides a first stop for comprehensive overviews of our industrial products. Some of the tools you'll find are:

Capabilities Videos

Short online videos highlight key industry products, as well as our unique cross-functional design and manufacturing capabilities.

Featured Products

To find out about new products that can take your design to the next level, look no further than this convenient product spotlight.

Other Time-Saving Site Features

Monthly E-nouncements

Electronic newsletter keeps you up-to-date on our latest innovations

Favorite Products Feature

Let you select and save up to 200 products as you browse

New Videos, Webinars, Articles and More

Available right from our home page

Detailed Application Pages

Instant Access to Product Specs

TABLE OF CONTENTS

| | |
|---|-----------|
| Brad mPm Field Attachable DIN Valve Connectors..... | 4 |
| Form A, Ext. Thread..... | 6 |
| Form Industrial, Ext. Thread..... | 7 |
| Form B, Ext. Thread..... | 8 |
| Form C, Ext. Thread..... | 9 |
| Form Micro, Ext. Thread..... | 10 |
| Form A, Intern. Thread..... | 11 |
| Form Industrial, Intern. Thread..... | 13 |
| Form B, Intern. Thread..... | 14 |
| Form C, Intern. Thread..... | 15 |
| Micro Form, Intern. Thread..... | 16 |
| Form A, Intern. Thread..... | 17 |
| Form Industrial, Intern. Thread..... | 18 |
| Form A, Intern. Thread..... | 19 |
| | |
| Brad mPm Molded Cable DIN Valve Connectors..... | 20 |
| Form A, Overmolded..... | 22 |
| Form Industrial, Overmolded..... | 23 |
| Form B, Overmolded..... | 24 |
| Form C, Overmolded..... | 25 |
| Form Micro, Overmolded..... | 26 |
| DIN Valve to Brad M12, Overmolded..... | 27 |
| DUAL DIN Valve, Overmolded..... | 28 |
| DIN Valve to Brad ILS, Overmolded..... | 30 |
| DIN Valve to Brad M12 Overmolded Adaptor..... | 31 |
| Cable Options..... | 32 |
| Circuit Options..... | 33 |
| | |
| Brad mPm DIN Bases for DIN Valve Connectors..... | 34 |
| | |
| Brad mPm DIN Adaptors for DIN Valve Connectors..... | 40 |
| | |
| Brad mPm DIN Spare Parts for DIN Valve Connectors..... | 49 |
| | |
| Supply Voltage and LED Color..... | 33 |
| Ground PIN Position..... | 51 |



**MOLEX DIN VALVE CONNECTOR
SOLUTIONS >
EMPHASIZE PERFORMANCE AND
RELIABILITY**

The Molex range of field attachable DIN valve connectors provide unsurpassed sealing properties and increase performance, simplify manufacturing processes, reduce inventory and lower applied costs for hydraulic, pneumatic and electromagnetic devices as well as sensors.



Brad® mPm® Field Attachable DIN Valve Connectors

Conform to EN 175301-803 (ex DIN 43650)

The Brad mPm® range of connectors is used extensively to provide electrical connection in a wide range of applications. The most common application for mPm DIN connectors is in conjunction with pneumatic, hydraulic or electromagnetic devices, including solenoid valves. Other applications include, for example, pressure transducers, proximity switches, level sensors, limit switches and low energy motors.

Molex manufactures an extensive and comprehensive range of connectors with standard options including for example LED illuminated devices as well as VDR, diodes or transil diodes (with or without illuminated device) to offer protection against overvoltage peaks. Brad DIN mPm connectors offer protection from dust and water (IP65 or IP67 on specific request) when correctly installed with screw and gasket which are supplied together with the connector.



IP67 rated DIN valve connectors with improved strain relief. Cable retention force increased by up to 20% over internal nut styles. Enlarged cable range that covers the PG9 and PG11 internal thread connector cable range. Conforms to EN 175301-803.

Specifications

ELECTRICAL

Max. Current: 16.0A
 Contact Resistance:
 ≤ 15 milliohms max.
 Insulation Resistance:
 100 Megohms min.
 Max. Conductor: 1.50mm² / 16AWG

MECHANICAL

Insertion and Withdrawal Force:
 2+GND ≤ 60N

CERTIFICATION

UL recognized *cURus* marked, file E218123 (product available upon request or specific part number)

PHYSICAL

Durability: min. 50 cycles
 Contact Area: Silver
 Solder Tail Area: Silver
 Operating Temperature with:
 Nitrile Rubber (NBR) Gasket:
 -40° to +90°C
 Silicone Gasket: -40° to +125°C
 Cable Diameter Range: 4.00-9.00mm
 Live Contact Distance:
 18.00mm

ENVIRONMENTAL

IP67 Sealing Protection

Non Electronic

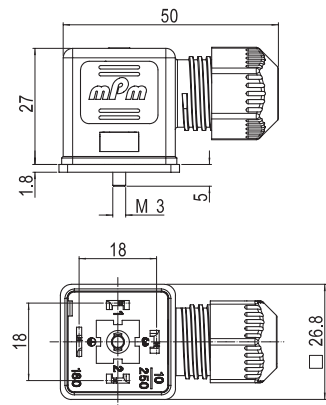
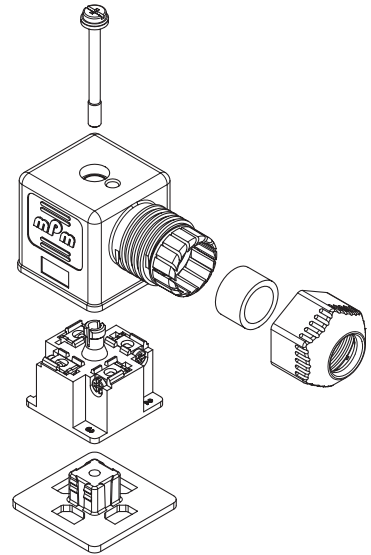
C28 2 00 N 0 R **

SERIES — C28=External Thread Form A
POLES — 2=2Poles+Ground 3=3Poles+Ground
THREAD — 00=External Thread
COVER COLOR — N=Black Cover G=Gray Cover W=V0 Black Cover (only with UL listed connectors)
GROUND POSITION — 0=Unmounted 2=H12 3=H3 6=H6 9=H9
SCREW & GASKET — R=Integrated NBR Gasket & IP67 Screw, S=Integrated Silicone Gasket & IP67 Screw
PACKAGING STYLE — no digit=Single Bag Unmounted, SN=Bulk Pack Mounted, CN=Bulk Pack Unmounted

Electronic

S28 2 00 T C4 2 0 R **

SERIES — S28=External Thread Form A
POLES — 2=2Poles+Ground
THREAD — 00=External Thread
COVER COLOR — N=Black Cover G=Gray Cover T=Transparent
CIRCUIT — see page 33
VOLTAGE & LED COLOR — see page 33
GROUND POSITION — 0=Unmounted 2=H12 3=H3 6=H6 9=H9
SCREW & GASKET — R=Integrated NBR Gasket & IP67 Screw, S=Integrated Silicone Gasket & IP67 Screw
PACKAGING STYLE — no digit=Single Bag Unmounted, SN=Bulk Pack Mounted, CN=Bulk Pack Unmounted



Note: UL listed part number identified by adding suffix SA at the end of the nomenclature in conjunction with UL material (W for black and T for transparent) e.g. C28200W2R5NSA

Build your connector using the intelligent part number system and contact your local sales representative to identify the proper EDP number to use in your purchase orders

| Packaging Type | | Poles | Circuit | Voltage | LED Color | Engineering No. | Standard Order No. |
|----------------|-----------|----------|---------|-----------------|-----------|-----------------|--------------------|
| Single Bag | Unmounted | 2+Ground | NO | 250V AC/300V DC | NO | C28200N0R | 121201-0001 |
| Bulk Pack | Mounted | | NO | 250V AC/300V DC | NO | C28200N2RSN | 121201-0034 |
| Single Bag | Unmounted | 3+Ground | NO | 250V AC/300V DC | NO | C28300N0R | 121201-0002 |
| Bulk Pack | Mounted | | NO | 250V AC/300V DC | NO | C28300N2RSN | 121201-0038 |
| Single Bag | Unmounted | 2+Ground | C4 | 24V AC/DC | yellow | S28200TC4H0R | 121207-0005 |
| Bulk Pack | mounted | | C4 | 24V AC/DC | yellow | S28200TC4H2RSN | 121207-0368 |
| Single Bag | Unmounted | | C4 | 230V AC/DC | yellow | S28200TC4M0R | 121207-0106 |
| Bulk Pack | mounted | | C4 | 230V AC/DC | yellow | S28200TC4M2RSN | 121207-0371 |

IP67 rated DIN valve connector with improved strain relief. Cable retention force increased up to 20% over internal nut style. Enlarged cable range that covers the PG9 and PG11 internal thread connectors cable range.

Specifications

ELECTRICAL

Max. Current 16.0A
 Contact Resistance: ≤15milliohms max.
 Insulation Resistance:
 100Megohms min.
 Max. Conductor: 1.50mm² / 16AWG

MECHANICAL

Insertion and Withdrawal Force:
 2+GND ≤ 60N

CERTIFICATION

UL recognized, *cURus* marked, file E218123 (product available upon request or specific part number)

PHYSICAL

Durability: min. 50 cycles
 Contact Area: Silver
 Solder Tail Area: Silver
 Operating Temperature with:
 Nitrile Rubber (NBR) Gasket: -40° +90°C
 Silicone Gasket: -40° +125°C
 Cable Diameter Range: 4.00-9.00mm
 Live Contact Distance: 11.00mm

ENVIRONMENTAL

IP67 Sealing Protection

Non Electronic

C22 2 00 N 0 R **

SERIES — C22=External Thread Form Industrial
POLES — 2=2Poles+Ground
THREAD — 00=External Thread
COVER COLOR — N=Black Cover G=Gray Cover W=V0 Black Cover (only with UL listed connectors)
GROUND POSITION — 0=Unmounted 2=H12 6=H6
SCREW & GASKET — R=Integrated NBR Gasket & IP67 Screw, S=Integrated Silicone Gasket & IP67 Screw
PACKAGING STYLE — no digit=Single Bag Unmounted, SN=Bulk Pack Mounted, CN=Bulk Pack Unmounted

Electronic

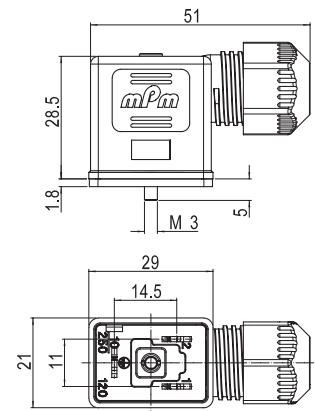
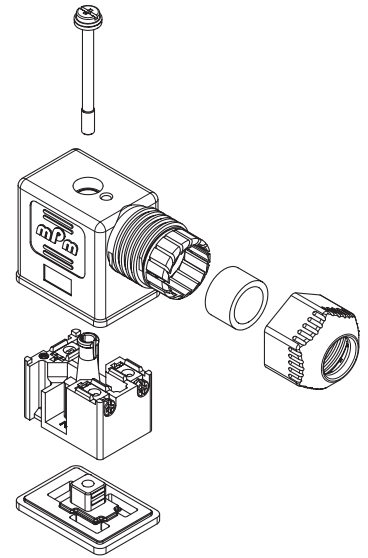
S22 2 00 T C4 2 0 R **

SERIES — S22=External Thread Form Industrial
POLES — 2=2Poles+Ground
THREAD — 00=External Thread
COVER COLOR — N=Black Cover G=Gray Cover T=Transparent
CIRCUIT — see page 33
VOLTAGE & LED COLOR — see page 33
GROUND POSITION — 0=Unmounted 2=H12 6=H6
SCREW & GASKET — R=Integrated NBR Gasket & IP67 Screw, S=Integrated Silicone Gasket & IP67 Screw
PACKAGING STYLE — no digit=Single Bag Unmounted, SN=Bulk Pack Mounted, CN=Bulk Pack Unmounted



Brad® mPm® Field Attachable DIN Valve Connectors

121202 Form Industrial, Ext. Thread, Non-Electronic
121208 Form Industrial, Ext. Thread, Electronic



Note: UL listed part number identified by adding suffix SA at the end of the nomenclature in conjunction with UL material (W for black and T for transparent) e.g. C28200W2RSN5A

Build your connector using the intelligent part number system and contact your local sales representative to identify the proper EDP number to use in your purchase orders

| Packaging Type | | Poles | Circuit | Voltage | LED Color | Engineering No. | Standard Order No. |
|----------------|-----------|----------|---------|-----------------|-----------|-----------------|--------------------|
| Single Bag | Unmounted | 2+Ground | NO | 250V AC/300V DC | NO | C22200N0R | 1212020001 |
| Bulk Pack | Mounted | | NO | 250V AC/300V DC | NO | C22200N2RSN | 1212020012 |
| Single Bag | Unmounted | | C4 | 24V AC/DC | yellow | S22200TC4H0R | 1212080080 |
| Bulk Pack | Mounted | | C4 | 24V AC/DC | yellow | S22200TC4H2RSN | 1212080240 |
| Single Bag | Unmounted | | C4 | 230V AC/DC | yellow | S22200TC4M0R | 1212080083 |
| Bulk Pack | Mounted | | C4 | 230V AC/DC | yellow | S22200TC4M2RSN | 1212080243 |

IP67 rated DIN valve connector with improved strain relief. Cable retention force increased up to 20% over internal nut style. Enlarged cable range that covers the PG9 and PG11 internal thread connectors cable range. Conforms to EN 175301-803

Specifications

ELECTRICAL

Current: max. 16.0A
 Contact Resistance: ≤15milliohms max.
 Insulation Resistance:
 100Megohms min.
 Max. Conductor: 1.50mm² / 16AWG

MECHANICAL

Insertion and Withdrawal Force:
 2+GND ≤ 60N

CERTIFICATION

UL recognized, *cURus* marked, file E218123 (product available upon request or specific part number)

PHYSICAL

Durability: min. 50 cycles
 Contact Area: Silver
 Solder Tail Area: Silver
 Operating Temperature with:
 Nitrile Rubber (NBR) Gasket:
 -40° +90°C
 Silicone Gasket: -40° +125°C
 Cable Diameter Range: 4.00-9.00mm
 Live Contact Distance: 10.00mm

ENVIRONMENTAL

IP67 Sealing Protection

Non Electronic

C92 2 00 N 0 T **

SERIES — C92=External Thread Form B
POLES — 2=2Poles+Ground
THREAD — 00=External Thread
COVER COLOR — N=Black Cover G=Gray Cover W=V0 Black Cover (only with UL listed connectors)
GROUND POSITION — 0=Unmounted 2=H12 6=H6
SCREW & GASKET — T=Profile NBR Gasket & IP67 Screw, U=Profile Silicone Gasket & IP67 Screw
PACKAGING STYLE — no digit=Single Bag Unmounted, SN=Bulk Pack Mounted, CN=Bulk Pack Unmounted

Electronic

S92 2 00 T C4 2 0 T **

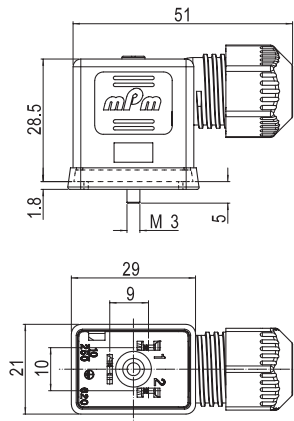
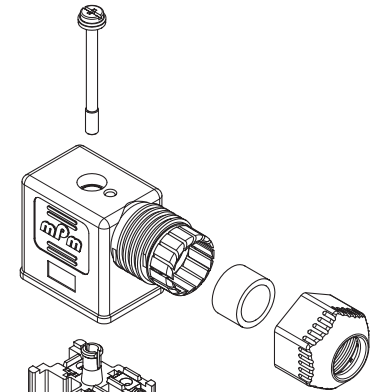
SERIES — S92=External Thread Form B
POLES — 2=2Poles+Ground
THREAD — 00=External Thread
COVER COLOR — N=Black Cover G=Gray Cover T=Transparent
CIRCUIT — see page 33
VOLTAGE & LED COLOR — see page 33
GROUND POSITION — 0=Unmounted 2=H12 6=H6
SCREW & GASKET — T=Profile NBR Gasket & IP67 Screw, U=Profile Silicone Gasket & IP67 Screw
PACKAGING STYLE — no digit=Single Bag Unmounted, SN=Bulk Pack Mounted, CN=Bulk Pack Unmounted



Brad® mPm® Field Attachable DIN Valve Connectors

121203 Form B, Ext. Thread, Non-Electronic

121209 Form B, Ext. Thread, Electronic



Note: UL listed part number identified by adding suffix SA at the end of the nomenclature in conjunction with UL material (W for black and T for transparent) e.g. C28200W2RSNSA

Build your connector using the intelligent part number system and contact your local sales representative to identify the proper EDP number to use in your purchase orders

| Packaging Type | | Poles | Circuit | Voltage | LED Color | Engineering No. | Standard Order No. |
|----------------|-----------|----------|---------|-----------------|-----------|-----------------|--------------------|
| Single Bag | Unmounted | 2+Ground | NO | 250V AC/300V DC | NO | C92200N0T | 121203-0001 |
| Bulk Pack | Mounted | | NO | 250V AC/300V DC | NO | C92200N2TSN | 121203-0009 |
| Single Bag | Unmounted | | C4 | 24V AC/DC | yellow | S92200TC4H0T | 121209-0047 |
| Bulk Pack | Mounted | | C4 | 24V AC/DC | yellow | S92200TC4H2TSN | 121209-0207 |
| Single Bag | Unmounted | | C4 | 230V AC/DC | yellow | S92200TC4M0T | 121209-0050 |
| Bulk Pack | Mounted | | C4 | 230V AC/DC | yellow | S92200TC4M2TSN | 121209-0210 |

IP67 rated DIN valve connector with improved strain relief. Cable retention force increased up to 20% over internal nut style. Enlarged cable range that covers the internal thread connectors cable range. Conforms to EN 175301-803

Specifications

ELECTRICAL

Current: max. 10.0A
 Contact Resistance: ≤15milliohms max.
 Insulation Resistance:
 100Megohms min.
 Max. Conductor: 0.75mm² / 18AWG

MECHANICAL

Insertion and Withdrawal Force:
 2+GND ≤ 60N

CERTIFICATION

UL recognized, *cURus* marked, file E218123 (product available upon request or specific part number)

PHYSICAL

Durability: min. 50 cycles
 Contact Area: Silver
 Solder Tail Area: Silver
 Operating Temperature with:
 Nitrile Rubber (NBR) Gasket: -40° +90°C
 Silicone Gasket: -40° +125°C
 Cable Diameter Range: 3.00-5.50mm
 Live Contact Distance: 8.00mm

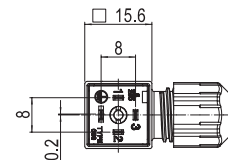
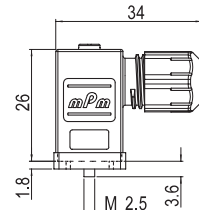
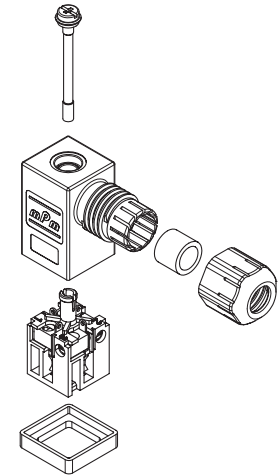
ENVIRONMENTAL

IP67 Sealing Protection

Brad® mPm® Field Attachable DIN Valve Connectors

121204 Form C, Ext. Thread,
Non-Electronic

121210 Form C, Ext. Thread,
Electronic



Non Electronic

C25 2 00 N 0 T **

SERIES — C25=External Thread Form C
POLES — 2=2Poles+Ground 3=3Poles+Ground
THREAD — 00=External Thread
COVER COLOR — N=Black Cover G=Gray Cover W=V0 Black Cover (only with UL listed connectors)
GROUND POSITION — 0=Unmounted 2=H12 3=H3 6=H6 9=H9
SCREW & GASKET — T=Profile NBR Gasket & IP67 Screw, U=Profile Silicone Gasket & IP67 Screw
PACKAGING STYLE — no digit=Single Bag Unmounted, SN=Bulk Pack Mounted, CN=Bulk Pack Unmounted

Electronic

S25 2 00 T C4 2 0 T **

SERIES — S25=External Thread Form C
POLES — 2=2Poles+Ground
THREAD — 00=External Thread
COVER COLOR — N=Black Cover G=Gray Cover T=Transparent
CIRCUIT — see page 33
VOLTAGE & LED COLOR — see page 33
GROUND POSITION — 0=Unmounted 2=H12 3=H3 6=H6 9=H9
SCREW & GASKET — T=Profile NBR Gasket & IP67 Screw, U=Profile Silicone Gasket & IP67 Screw
PACKAGING STYLE — no digit=Single Bag Unmounted, SN=Bulk Pack Mounted, CN=Bulk Pack Unmounted

Note: UL listed part number identified by adding suffix SA at the end of the nomenclature in conjunction with UL material (W for black and T for transparent) e.g. C28200W2RSNSA

Build your connector using the intelligent part number system and contact your local sales representative to identify the proper EDP number to use in your purchase orders

| Packaging Type | | Poles | Circuit | Voltage | LED Color | Engineering No. | Standard Order No. |
|----------------|-----------|----------|---------|-----------------|-----------|-----------------|--------------------|
| Single Bag | Unmounted | 2+Ground | NO | 250V AC/300V DC | NO | C25200N0T | 121204-0001 |
| Bulk Pack | Mounted | | NO | 250V AC/300V DC | NO | C25200N2TSN | 121204-0010 |
| Single Bag | Unmounted | | C4 | 24V AC/DC | yellow | S25200TC4H0T | 121210-0042 |
| Bulk Pack | Mounted | | C4 | 24V AC/DC | yellow | S25200TC4H2TSN | 121210-0342 |
| Single Bag | Unmounted | | C4 | 230V AC/DC | yellow | S25200TC4M0T | 121210-0045 |
| Bulk Pack | Mounted | | C4 | 230V AC/DC | yellow | S25200TC4M2TSN | 121210-0345 |

IP67 rated DIN valve connector with improved strain relief. Cable retention force increased up to 20% over internal nut style. Enlarged cable range that covers internal thread connectors cable range.

Specifications

ELECTRICAL

Max. Current 10.0A
 Contact Resistance: ≤15milliohms max.
 Insulation Resistance:
 100Megohms min.
 Max Conductor: 0.75mm² / 18AWG

MECHANICAL

Insertion and Withdrawal Force:
 2+GND ≤ 60N

CERTIFICATION

UL recognized, *cURus* marked, file E218123 (product available upon request or specific part number)

PHYSICAL

Durability: min. 50 cycles
 Contact Area: Silver
 Solder Tail Area: Silver
 Operating Temperature with:
 Nitrile Rubber (NBR) Gasket:
 -40° +90°C
 Silicone Gasket -40° to +125°C
 Cable Diameter Range: 3.00-5.50mm
 Live Contact Distance: 9.40mm

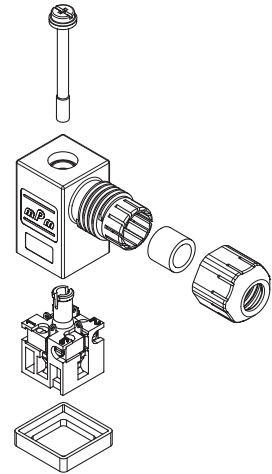
ENVIRONMENTAL

IP67 Sealing Protection

Brad® mPm® Field Attachable DIN Valve Connectors

121205 Form Micro, Ext. Thread
Non-Electronic

121211 Form Micro, Ext. Thread
Electronic

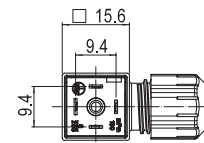
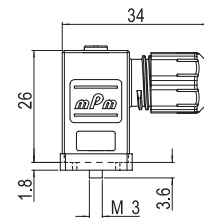


Non Electronic C29 2 00 N 0 T **

SERIES — C29=External Thread Form Micro
POLES — 2=2Poles+Ground 3=3Poles+Ground
THREAD — 00=External Thread
COVER COLOR — N=Black Cover G=Gray Cover W=V0 Black Cover (only with UL listed connectors)
GROUND POSITION — 0=Unmounted 2=H12 3=H3 6=H6 9=H9
SCREW & GASKET — T=Profile NBR Gasket & IP67 Screw, U=Profile Silicone Gasket & IP67 Screw
PACKAGING STYLE — no digit=Single Bag Unmounted, SN=Bulk Pack Mounted, CN=Bulk Pack Unmounted

Electronic S29 2 00 T C4 2 0 T **

SERIES — S29=External Thread Form Micro
POLES — 2=2Poles+Ground
THREAD — 00=External Thread
COVER COLOR — N=Black Cover G=Gray Cover T=Transparent
CIRCUIT — see page 33
VOLTAGE & LED COLOR — see page 33
GROUND POSITION — 0=Unmounted 2=H12 3=H3 6=H6 9=H9
SCREW & GASKET — T=Profile NBR Gasket & IP67 Screw, U=Profile Silicone Gasket & IP67 Screw
PACKAGING STYLE — no digit=Single Bag Unmounted, SN=Bulk Pack Mounted, CN=Bulk Pack Unmounted



Note: UL listed part number identified by adding suffix SA at the end of the nomenclature in conjunction with UL material (W for black and T for transparent) e.g. C28200W2R5NSA

Build your connector using the intelligent part number system and contact your local sales representative to identify the proper EDP number to use in your purchase orders

| Packaging Type | | Poles | Circuit | Voltage | LED Color | Engineering No. | Standard Order No. |
|----------------|-----------|----------|---------|-----------------|-----------|-----------------|--------------------|
| Single Bag | Unmounted | 2+Ground | NO | 250V AC/300V DC | NO | C29200N0T | 121205-0001 |
| Bulk Pack | Mounted | | NO | 250V AC/300V DC | NO | C29200N2TSN | 121205-0012 |
| Single Bag | Unmounted | | C4 | 24V AC/DC | yellow | S29200TC4H0T | 121211-0042 |
| Bulk Pack | Mounted | | C4 | 24V AC/DC | yellow | S29200TC4H2TSN | 121211-0342 |
| Single Bag | Unmounted | | C4 | 230V AC/DC | yellow | S29200TC4M0T | 121211-0045 |
| Bulk Pack | Mounted | | C4 | 230V AC/DC | yellow | S29200TC4M2TSN | 121211-0345 |

**Standard internal thread DIN valve connector, IP65 rated.
Available with different thread style, gaskets and circuitry.
Conforms to EN 175301-803**

Specifications

ELECTRICAL

Max. Current: 16.0A
Contact Resistance: ≤15milliohms max.
Insulation Resistance:
100Megohms min.
Max. Conductor: 1.50mm² / 16AWG

MECHANICAL

Insertion and Withdrawal Force:
2+GND ≤ 60N

CERTIFICATION

UL recognized, *cURus* marked, file E218123 (product available upon request or specific part number)

PHYSICAL

Durability: min. 50 cycles
Contact Area: Silver
Solder Tail Area: Silver
Operating Temperature with:
Nitrile Rubber (NBR) Gasket:
-40° +90°C
Silicone -40° +125°C
Cable Diameter Range:
PG9-M16 6.00-8.00mm
PG11-G1/2"-M20 8.00-10.00mm
Live Contact Distance: 18.00mm

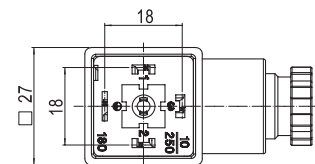
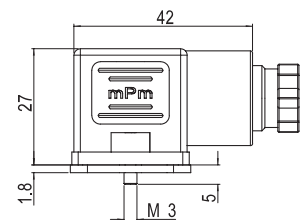
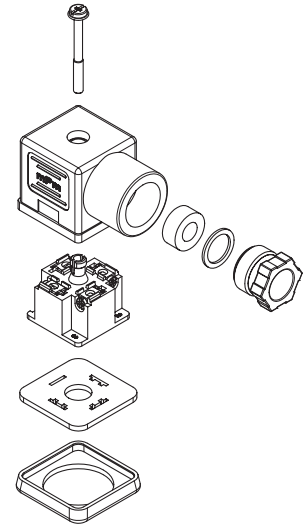
ENVIRONMENTAL

IP65 sealing protection
(IP67 available on request)

Brad® mPm® Field Attachable DIN Valve Connectors

121023 Form A, Intern. Thread,
Non-Electronic

121064 Form A, Intern. Thread,
Electronic



Note: UL listed part number identified by adding suffix SA at the end of the nomenclature in conjunction with UL material (W for black and T for transparent) e.g. C28200W2RSNSA

Build your connector using the intelligent part number system and contact your local sales representative to identify the proper EDP number to use in your purchase orders

Non Electronic

C18 2 09 N 2 1

SERIES

C18=Internal Thread Form A

POLES

2=2Poles+Ground **3**=3Poles+Ground

THREAD

09=PG9 **11**=PG11 **M6**=M16x1,5 **M0**=M20x1,5
12=1/2" GAS **13**=1/2 NPTF

COVER COLOR

N=Black Cover **G**=Gray Cover
W=V0 Black Cover (only with UL listed connectors)

GROUND POSITION

2=H12 **3**=H3 **6**=H6 **9**=H9

SCREW & GASKET

1=Profile NBR Gasket & Screw, **2**=Flat NBR Gasket & Screw
3=White Silicone Profile Gasket & Screw, **4**=White Silicone Flat Gasket & Screw

Electronic

S18 2 09 T C4 2 1

SERIES

S18=Internal Thread Form A

POLES

2=2Poles+Ground

THREAD

09=PG9 **11**=PG11 **M6**=M16x1,5 **M0**=M20x1,5
12=1/2" GAS **13**=1/2 NPTF

COVER COLOR

N=Black Cover **G**=Gray Cover **T**=Transparent

CIRCUIT

see page 33

VOLTAGE & LED COLOR

see page 33

SCREW & GASKET

1=Profile NBR Gasket & Screw, **2**=Flat NBR Gasket & Screw
3=White Silicone Profile Gasket & Screw, **4**=White Silicone Flat Gasket & Screw

| Packaging Type | Poles | Circuit | Voltage | LED Color | Engineering No. | Standard Order No. |
|----------------|----------|---------|-----------------|-----------|-----------------|--------------------|
| Bulk Pack | 2+Ground | NO | 250V AC/300V DC | NO | C18209N21 | 121023-0238 |
| | | NO | 250V AC/300V DC | NO | C18211N21 | 121023-0278 |
| | | NO | 250V AC/300V DC | NO | C18309N21 | 121023-0341 |
| | | NO | 250V AC/300V DC | NO | C18311N21 | 121023-0377 |
| | 3+Ground | C4 | 24V AC/DC | yellow | S18209TC4H1 | 121064-0600 |
| | | C4 | 230V AC/DC | yellow | S18209TC4M1 | 121064-0603 |
| | | C4 | 24V AC/DC | yellow | S18211TC4H1 | 121064-0685 |
| | | C4 | 230V AC/DC | yellow | S18211TC4M1 | 121064-0687 |

**Standard internal thread DIN valve connector, IP65 rated.
Available with different thread style and gaskets.
Conforms to EN 175301-803**

Specifications

ELECTRICAL

Max. Current: 16.0A
Contact Resistance: ≤15milliohms max.
Insulation Resistance:
100Megohms min.
Max. Conductor: 1.50mm² / 16AWG

MECHANICAL

Insertion and Withdrawal Force:
2+GND ≤ 60N

CERTIFICATION

UL recognized, *cURus* marked, file E218123 (product available upon request or specific part number)

PHYSICAL

Durability: min. 50 cycles
Contact Area: Silver
Solder Tail Area: Silver
Operating Temperature with:
Nitrile Rubber (NBR) Gasket:
-40° +90°C
Silicone Gasket: -40° +125°C
Cable Diameter Range:
PG9-M16 6.00-8.00mm
PG11-G1/2"-M20 8.00-10.00mm
Live Contact Distance: 18.00mm

ENVIRONMENTAL

IP65 sealing protection
(IP67 available on request)

Non Electronic

C81 2 09 N 2 1

SERIES

C81=Internal Thread Form A High Space

POLES

2=2Poles+Ground **3**=3Poles+Ground

THREAD

09=PG9 **11**=PG11 **M6**=M16x1,5 **M0**=M20x1,5
12=1/2" GAS

COVER COLOR

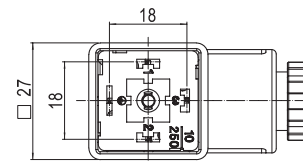
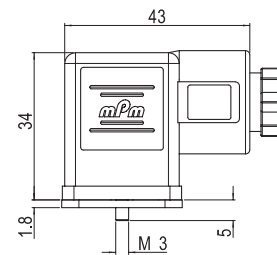
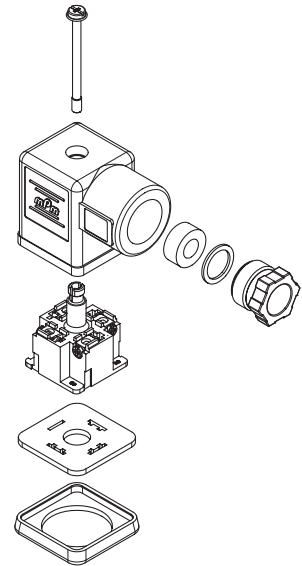
N=Black Cover **G**=Gray Cover
W=V0 Black Cover (only with UL listed connectors)

GROUND POSITION

2=H12 **3**=H3 **6**=H6 **9**=H9

SCREW & GASKET

1=Profile NBR Gasket & Screw, **2**=Flat NBR Gasket & Screw
3=White Silicone Profile Gasket & Screw, **4**=White Silicone Flat Gasket & Screw



Note: UL listed part number identified by adding suffix SA at the end of the nomenclature in conjunction with UL material (W for black and T for transparent) e.g. C28200W2RSNSA

Build your connector using the intelligent part number system and contact your local sales representative to identify the proper EDP number to use in your purchase orders

| Packaging Type | Poles | Circuit | Voltage | LED Color | Engineering No. | Standard Order No. |
|----------------|----------|---------|-----------------|-----------|-----------------|--------------------|
| Bulk Pack | 2+Ground | NO | 250V AC/300V DC | NO | C81209N21 | 121023-0612 |
| | | NO | 250V AC/300V DC | NO | C81211N21 | 121023-0620 |
| | 3+Ground | NO | 250V AC/300V DC | NO | C81309N21 | 121023-0629 |
| | | NO | 250V AC/300V DC | NO | C81311N21 | 121023-0633 |

Standard internal thread DIN valve connector, IP65 rated.
Available with different thread style, gaskets and circuitry.

Specifications

ELECTRICAL

Max. Current: 16.0A
Contact Resistance: ≤15milliohms max.
Insulation Resistance:
100Megohms min.
Max. Conductor: 1.50mm² / 16AWG

MECHANICAL

Insertion and Withdrawal Force:
2+GND ≤ 60N

CERTIFICATION

UL recognized, cURus marked, file E218123 (product available upon request or specific part number)

PHYSICAL

Durability: min. 50 cycles
Contact Area: Silver
Solder Tail Area: Silver
Operating Temperature with:
Nitrile Rubber (NBR) Gasket: -40° +90°C
Silicone Gasket: -40° +125°C
Cable Diameter Range:
PG7-M12 4.00-6.00mm
PG9-M16 6.00-8.00mm
M20 8.00-10.00mm
Live Contact Distance: 11.00mm

ENVIRONMENTAL

IP65 sealing protection
(IP67 available on request)

Non Electronic

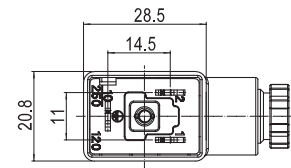
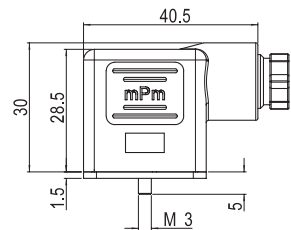
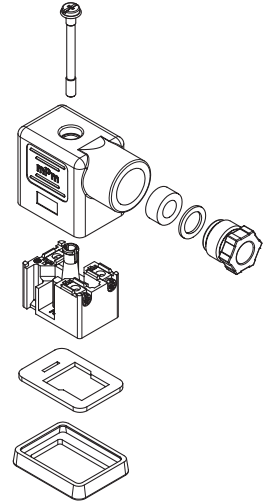
C12 2 07 N 2 1

SERIES C12=Internal Thread Form Industrial
POLES 2=2Poles+Ground
THREAD 07=PG7 09=PG9 M2=M12x1,5 M6=M16x1,5
M0=M20x1,5 13=1/2" NPTF
COVER COLOR N=Black Cover G=Gray Cover
W=V0 Black Cover (only with UL listed connectors)
GROUND POSITION 2=H12 6=H6
SCREW & GASKET 1=Profile NBR Gasket & Screw, 2=Flat NBR Gasket & Screw
3=White Silicone Profile Gasket & Screw, 4=White Silicone Flat Gasket & Screw

Electronic

S02 2 07 T C4 2 1

SERIES S02=Internal Thread Form Industrial
POLES 2=2Poles+Ground
THREAD 07=PG7 09=PG9 M2=M12x1,5 M6=M16x1,5
M0=M20x1,5 13=1/2" NPTF
COVER COLOR N=Black Cover G=Gray Cover T=Transparent
CIRCUIT see page 33
VOLTAGE & LED COLOR see page 33
SCREW & GASKET 1=Profile NBR Gasket & Screw, 2=Flat NBR Gasket & Screw
3=White Silicone Profile Gasket & Screw, 4=White Silicone Flat Gasket & Screw



Brad® mPm® Field Attachable DIN Valve Connectors

121023 Form Industrial,
Intern. Thread, Non-Electronic
121064 Form Industrial,
Intern. Thread, Electronic

Note: UL listed part number identified by adding suffix SA at the end of the nomenclature in conjunction with UL material (W for black and T for transparent) e.g. C28200W2RSNSA

Build your connector using the intelligent part number system and contact your local sales representative to identify the proper EDP number to use in your purchase orders

| Packaging Type | | Poles | Circuit | Voltage | LED Color | Engineering No. | Standard Order No. |
|----------------|---------|----------|---------|-----------------|-----------|-----------------|--------------------|
| Bulk Pack | Mounted | 2+Ground | NO | 250V AC/300V DC | NO | C12207N21 | 121023-0105 |
| | | | NO | 250V AC/300V DC | NO | C12209N21 | 121023-0122 |
| | | | C4 | 24V AC/DC | yellow | S02209TC4H1 | 121064-0120 |
| | | | C4 | 230V AC/DC | yellow | S02209TC4M1 | 121064-0124 |

**Standard internal thread DIN valve connector, IP65 rated.
Available with different thread style, gaskets and circuitry.
Conforms to EN 175301-803.**

Specifications

ELECTRICAL

Max. Current: 16.0A
Contact Resistance: ≤15milliohms max.
Insulation Resistance:
100Megohms min.
Max. Conductor: 1.50mm² / 16AWG

MECHANICAL

Insertion and Withdrawal Force:
2+GND ≤ 60N

CERTIFICATION

UL recognized, *cURus* marked, file E218123 (product available upon request or specific part number)

PHYSICAL

Durability: min. 50 cycles
Contact Area: Silver
Solder Tail Area: Silver
Operating Temperature with:
Nitrile Rubber (NBR) Gasket:
-40° +90°C
Silicone Gasket: -40° +125°C
Cable Diameter Range:
PG7-M12 4.00-6.00mm
PG9-M16 6.00-8.00mm
Live Contact Distance: 10.00mm

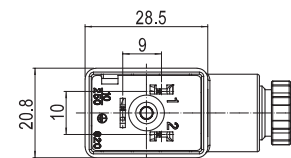
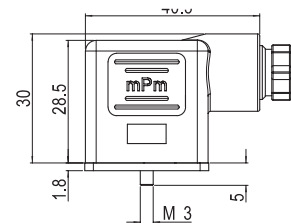
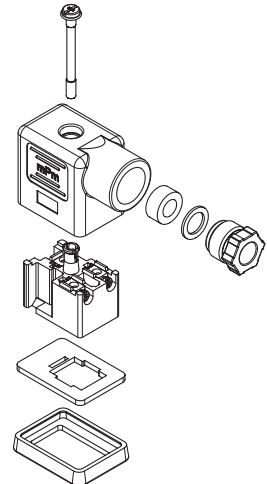
ENVIRONMENTAL

IP65 sealing protection
(IP67 available on request)

Brad® mPm® Field Attachable DIN Valve Connectors

121023 Form B, Intern. Thread,
Non-Electronic

121064 Form B, Intern. Thread,
Electronic



Non Electronic C62 2 07 N 2 1

SERIES — C62=Internal Thread Form B
POLES — 2=2Poles+Ground
THREAD — 07=PG7 09=PG9 M2=M12x1,5 M6=M16x1,5
COVER COLOR — N=Black Cover G=Gray Cover W=V0 Black Cover (only with UL listed connectors)
GROUND POSITION — 2=H12 6=H6
SCREW & GASKET — 1=Profile NBR Gasket & Screw, 2=Flat NBR Gasket & Screw 3=White Silicone Profile Gasket & Screw, 4=White Silicone Flat Gasket & Screw

Electronic S62 2 07 T C4 2 1

SERIES — S62=Internal Thread Form B
POLES — 2=2Poles+Ground
THREAD — 07=PG7 09=PG9 M2=M12x1,5 M6=M16x1,5
COVER COLOR — N=Black Cover G=Gray Cover T=Transparent
CIRCUIT — see page 33
VOLTAGE & LED COLOR — see page 33
SCREW & GASKET — 1=Profile NBR Gasket & Screw, 2=Flat NBR Gasket & Screw 3=White Silicone Profile Gasket & Screw, 4=White Silicone Flat Gasket & Screw

Note: UL listed part number identified by adding suffix SA at the end of the nomenclature in conjunction with UL material (W for black and T for transparent) e.g. C28200W2RSNSA

Build your connector using the intelligent part number system and contact your local sales representative to identify the proper EDP number to use in your purchase orders

| Packaging Type | | Poles | Circuit | Voltage | LED Color | Engineering No. | Standard Order No. |
|----------------|---------|----------|---------|-----------------|-----------|-----------------|--------------------|
| Bulk Pack | Mounted | 2+Ground | NO | 250V AC/300V DC | NO | C62207N21 | 121023-0569 |
| | | | NO | 250V AC/300V DC | NO | C62209N21 | 121023-0571 |
| | | | C4 | 24V AC/DC | yellow | S62209TC4H1 | 121064-1239 |
| | | | C4 | 230V AC/DC | yellow | S62209TC4M1 | 121064-1241 |

Standard internal thread DIN valve connector, IP65 rated.
Available with different thread style, gaskets and circuitry.
Conforms to EN 175301-803.

Specifications

ELECTRICAL

Max. Current: 10.0A
Contact Resistance: ≤15milliohms max.
Insulation Resistance:
100Megohms min.
Max. Conductor: 0.75mm² / 18AWG

MECHANICAL

Insertion and Withdrawal Force:
2+GND ≤ 60N

CERTIFICATION

UL recognized, *cURus* marked, file E218123 (product available upon request or specific part number)

PHYSICAL

Durability: min. 50 cycles
Contact Area: Silver
Solder Tail Area: Silver
Operating Temperature with:
Nitrile Rubber (NBR) Gasket:
-40° +90°C
Silicone Gasket: -40° +125°C
Cable Diameter Range:
PG7-M12 4.00-6.00mm
Live Contact Distance: 8.00mm

ENVIRONMENTAL

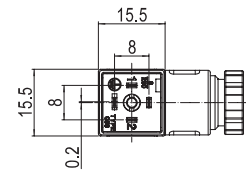
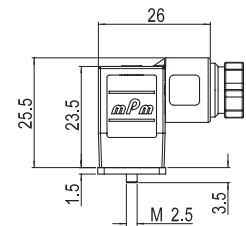
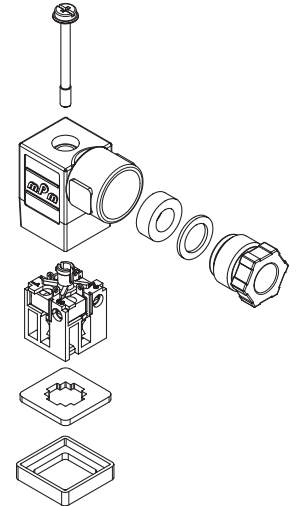
IP65 sealing protection
(IP67 available on request)

Non Electronic C05 2 07 N 2 1

SERIES C05=Internal Thread Form C
POLES 2=2Poles+Ground 3=3Poles+Ground
THREAD 07=PG7 M2=M12x1,5
COVER COLOR N=Black Cover G=Gray Cover W=V0 Black Cover (only with UL listed connectors)
GROUND POSITION 2=H12 3=H3 6=H6 9=H9
SCREW & GASKET 1=Profile NBR Gasket & Screw, 2=Flat NBR Gasket & Screw 3=White Silicone Profile Gasket & Screw, 4=White Silicone Flat Gasket & Screw

Electronic S05 2 07 T C4 2 1

SERIES S05=Internal Thread Form C
POLES 2=2Poles+Ground
THREAD 07=PG7 M2=M12x1,5
COVER COLOR N=Black Cover G=Gray Cover T=Transparent
CIRCUIT see page 33
VOLTAGE & LED COLOR see page 33
SCREW & GASKET 1=Profile NBR Gasket & Screw, 2=Flat NBR Gasket & Screw 3=White Silicone Profile Gasket & Screw, 4=White Silicone Flat Gasket & Screw



Note: UL listed part number identified by adding suffix SA at the end of the nomenclature in conjunction with UL material (W for black and T for transparent) e.g. C28200W2RSNSA

Build your connector using the intelligent part number system and contact your local sales representative to identify the proper EDP number to use in your purchase orders

| Packaging Type | Poles | Circuit | Voltage | LED Color | Engineering No. | Standard Order No. |
|----------------|----------|----------|------------|-----------------|-------------------------|-----------------------|
| Bulk Pack | Mounted | 2+Ground | NO | 250V AC/300V DC | NO | C05207N21 121023-0083 |
| | | 3+Ground | NO | 250V AC/300V DC | NO | C05307N21 121023-0684 |
| | 2+Ground | C4 | 24V AC/DC | yellow | S05207TC4H1 121064-1253 | |
| | | C4 | 230V AC/DC | yellow | S05207TC4M1 121064-1446 | |

**Standard internal thread DIN valve connector, IP65 rated.
Available with different thread style, gaskets and circuitry.**

Specifications

ELECTRICAL

Max. Current: 10.0A
Contact Resistance: ≤15milliohms max.
Insulation Resistance:
100Megohms min.
Max. Conductor: 0.75mm² / 18AWG

MECHANICAL

Insertion and Withdrawal Force:
2+GND ≤ 60N

CERTIFICATION

UL recognized, *cURus* marked, file E218123 (product available upon request or specific part number)

PHYSICAL

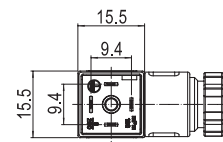
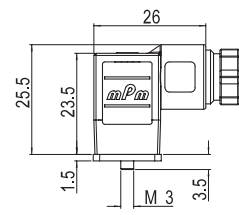
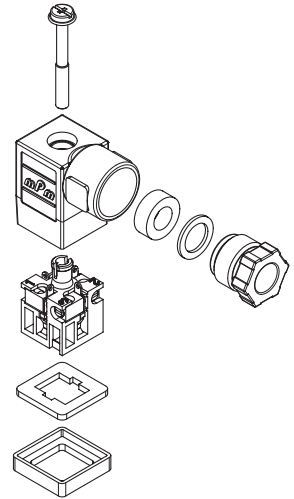
Durability: min. 50 cycles
Contact Area: Silver
Solder Tail Area: Silver
Operating Temperature with:
Nitrile Rubber (NBR) Gasket:
-40° +90°C
Silicone Gasket: -40° +125°C
Cable Diameter Range:
PG7-M12 4.00-6.00mm
Live Contact Distance: 9.40mm

ENVIRONMENTAL

IP65 sealing protection
(IP67 available on request)

Brad® mPm® Field Attachable DIN Valve Connectors

121023 Micro Form,
Intern. Thread, Non-Electronic
121064 Micro Form,
Intern. Thread, Electronic



Non Electronic C19 2 07 N 2 1

SERIES — C19=Internal Thread Form Micro
POLES — 2=2Poles+Ground 3=3Poles+Ground
THREAD — 07=PG7 M2=M12x1,5
COVER COLOR — N=Black Cover G=Gray Cover W=V0 Black Cover (only with UL listed connectors)
GROUND POSITION — 2=H12 3=H3 6=H6 9=H9
SCREW & GASKET — 1=Profile NBR Gasket & Screw, 2=Flat NBR Gasket & Screw 3=White Silicone Profile Gasket & Screw, 4=White Silicone Flat Gasket & Screw

Electronic S19 2 07 T C4 2 1

SERIES — S19=Internal Thread Form Micro
POLES — 2=2Poles+Ground
THREAD — 07=PG7 M2=M12x1,5
COVER COLOR — N=Black Cover G=Gray Cover T=Transparent
CIRCUIT — see page 33
VOLTAGE & LED COLOR — see page 33
SCREW & GASKET — 1=Profile NBR Gasket & Screw, 2=Flat NBR Gasket & Screw 3=White Silicone Profile Gasket & Screw, 4=White Silicone Flat Gasket & Screw

Note: UL listed part number identified by adding suffix SA at the end of the nomenclature in conjunction with UL material (W for black and T for transparent) e.g. C28200W2RSNSA

Build your connector using the intelligent part number system and contact your local sales representative to identify the proper EDP number to use in your purchase orders

| Packaging Type | Poles | Circuit | Voltage | LED Color | Engineering No. | Standard Order No. | |
|----------------|----------|----------|------------|-----------------|-----------------|--------------------|-------------|
| Bulk Pack | Mounted | 2+Ground | NO | 250V AC/300V DC | NO | C19207N21 | 121023-0433 |
| | | 3+Ground | NO | 250V AC/300V DC | NO | C19307N21 | 121023-0464 |
| | 2+Ground | C4 | 24V AC/DC | yellow | S19207TC4H1 | 121064-0871 | |
| | | C4 | 230V AC/DC | yellow | S19207TC4M1 | 121064-1342 | |

Standard internal thread DIN valve connector, IP65 rated.
Available with different thread style, gaskets and circuitry.
Conforms to EN 175301-803

Specifications

ELECTRICAL

Max. Current: 16.0A
Contact Resistance: ≤15milliohms max.
Insulation Resistance:
100Megohms min.
Max. Conductor: 1.50mm² / 16AWG

MECHANICAL

Insertion and Withdrawal Force:
2+GND ≤ 60N

CERTIFICATION

UL recognized, *cURus* marked, file E218123 (product available upon request or specific part number)

PHYSICAL

Durability: min. 50 cycles
Contact Area: Silver
Operating Temperature with:
Nitrile Rubber (NBR) Gasket: -40° +90°C
Silicone Gasket: -40° +125°C
Cable Diameter Range:
PG9-M12 6.00-8.00mm
PG11 8.00-10.00mm
Live Contact Distance: 18.00mm

ENVIRONMENTAL

IP65 sealing protection
(IP67 available on request)

Electronic

S53 2 11 T C4 2 1

SERIES

S53=Internal Thread Form A

POLES

2=2Poles+Ground

THREAD

09=PG9 11=PG11 M6=M16x1,5

COVER COLOR

N=Black Cover G=Gray Cover T=Transparent
W=V0 Black Cover (only with UL listed Conn)

CIRCUIT

see page 33

VOLTAGE & LED COLOR

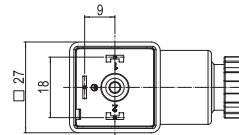
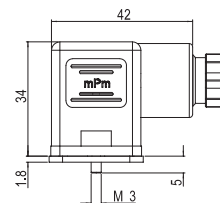
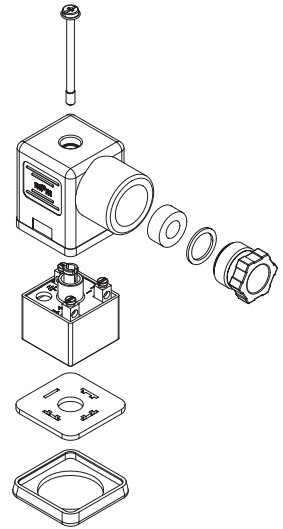
see page 33

SCREW & GASKET

1=Profile NBR Gasket & Screw, 2=Flat NBR Gasket & Screw
3=White Silicone Profile Gasket & Screw, 4=White Silicone Flat Gasket & Screw

Brad® mPm® Field Attachable DIN Valve Connectors

121064 Form A, Intern. Thread,
Electronic



Note: UL listed part number identified by adding suffix SA at the end of the nomenclature in conjunction with UL material (W for black and T for transparent) e.g. C28200W2RSNSA

Build your connector using the intelligent part number system and contact your local sales representative to identify the proper EDP number to use in your purchase orders

| Packaging Type | | Poles | Circuit | Voltage | LED Color | Engineering No. | Standard Order No. |
|----------------|---------|----------|---------|---------|-----------|-----------------|--------------------|
| Bulk Pack | Mounted | 2+Ground | R0 | 24V AC | NO | S53209NR021 | 121064-0896 |
| | | | R0 | 230V AC | NO | S53209NR051 | 121064-0900 |
| | | | R2 | 24V AC | yellow | S53209TR2H1 | 121064-0953 |
| | | | R2 | 230V AC | yellow | S53209TR2M1 | 121064-0955 |

Standard internal thread DIN valve connector, IP65 rated.
Available with different thread style, gaskets and circuitry.

Specifications

ELECTRICAL

Max. Current: 16.0A
Contact Resistance: ≤15milliohms max.
Insulation Resistance:
100Megohms min.
Max. Conductor: 1.50mm² / 16AWG

MECHANICAL

Insertion and Withdrawal Force:
2+GND ≤ 60N

CERTIFICATION

UL recognized, *cURus* marked, file E218123 (product available upon request or specific part number)

PHYSICAL

Durability: min. 50 cycles
Contact Area: Silver
Operating Temperature with:
Nitrile Rubber (NBR) Gasket:
-40° +90°C
Silicone Gasket: -40° +125°C
Cable Diameter Range:
PG7-M12 4.00-6.00mm
PG9-M16 6.00-8.00mm
Live Contact Distance: 11.00mm

ENVIRONMENTAL

IP65 sealing protection
(IP67 available on request)

Electronic

S54 2 09 T C4 2 1

SERIES

S54=Internal Thread Form Industrial

POLES

2=2Poles+Ground

THREAD

07=PG7 09=PG9 M2=M12x1,5 M6=M16x1,5

COVER COLOR

N=Black Cover G=Gray Cover T=Transparent
W=V0 Black Cover (only with UL listed Conn)

CIRCUIT

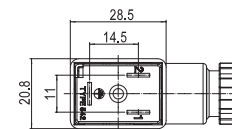
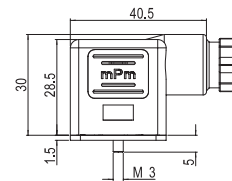
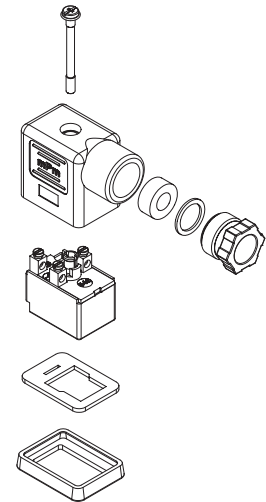
see page 33

VOLTAGE & LED COLOR

see page 33

SCREW & GASKET

1=Profile NBR Gasket & Screw, 2=Flat NBR Gasket & Screw
3=White Silicone Profile Gasket & Screw, 4=White Silicone Flat Gasket & Screw



Note: UL listed part number identified by adding suffix SA at the end of the nomenclature in conjunction with UL material (W for black and T for transparent) e.g. C28200W2RSNSA

Build your connector using the intelligent part number system and contact your local sales representative to identify the proper EDP number to use in your purchase orders

| Packaging Type | Poles | Circuit | Voltage | LED Color | Engineering No. | Standard Order No. | |
|----------------|---------|----------|---------|-----------|-----------------|--------------------|-------------|
| Bulk Pack | Mounted | 2+Ground | R0 | 24V AC | NO | S54209NR021 | 121064-1036 |
| | | | R0 | 230V AC | NO | S54209NR051 | 121064-1038 |
| | | | R2 | 24V AC | yellow | S54209TR2H1 | 121064-1083 |
| | | | R2 | 230V AC | yellow | S54209TR2M1 | 121064-1810 |

Standard internal thread DIN valve connector, IP65 rated.
Available with different thread style, gaskets and circuitry.
Conforms to EN 175301-803

Specifications

ELECTRICAL

Max. Current: 16.0A
Contact Resistance: ≤15milliohms max.
Insulation Resistance:
100Megohms min.
Max. Conductor: 1.50mm² / 16AWG

MECHANICAL

Insertion and Withdrawal Force:
2+GND ≤ 60N

CERTIFICATION

UL recognized, *cURus* marked, file E218123 (product available upon request or specific part number)

PHYSICAL

Durability: min. 50 cycles
Contact Area: Silver
Operating Temperature with:
Nitrile Rubber (NBR) Gasket:
-40° +90°C
Silicone Gasket: -40° +125°C
Cable Diameter Range:
PG9-M16 6.00-8.00mm
PG11-M20 8.00-10.00mm
Live Contact Distance: 18.00mm

ENVIRONMENTAL

IP65 sealing protection
(IP67 available on request)

Electronic

S11 2 09 T C4 2 1

SERIES

S11=Internal Thread Form A

POLES

2=2Poles+Ground 3=3Poles+Ground

THREAD

09=PG7 11=PG7 M6=M16x1,5

COVER COLOR

N=Black Cover G=Gray Cover T=Transparent
W=V0 Black Cover (only with UL listed Conn)

CIRCUIT

see page 33

VOLTAGE & LED COLOR

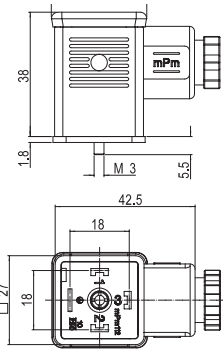
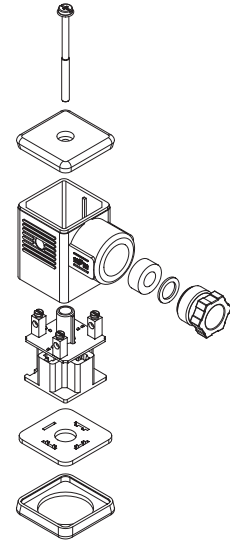
see page 33

SCREW & GASKET

1=Profile NBR Gasket & Screw, 2=Flat NBR Gasket & Screw
3=White Silicone Profile Gasket & Screw, 4=White Silicone Flat Gasket & Screw

Brad® mPm® Field Attachable DIN Valve Connectors


121064 Form A, Intern. Thread,
Electronic



Note: UL listed part number identified by adding suffix SA at the end of the nomenclature in conjunction with UL material (W for black and T for transparent) e.g. C28200W2RSNSA

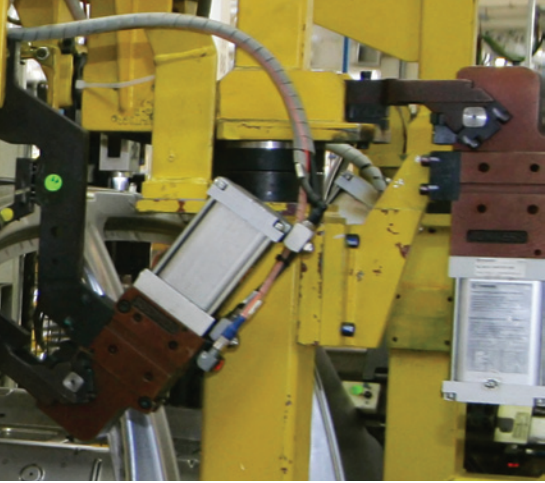
Build your connector using the intelligent part number system and contact your local sales representative to identify the proper EDP number to use in your purchase orders

| Packaging Type | | Poles | Circuit | Voltage | LED Color | Engineering No. | Standard Order No. |
|----------------|---------|----------|---------|---------|-----------|-----------------|--------------------|
| Bulk Pack | Mounted | 2+Ground | R0 | 24V AC | NO | S11209NR021 | 121064-0248 |
| | | | R0 | 230V AC | NO | S11209NR051 | 121064-0250 |
| | | | R2 | 24V AC | yellow | S11209NR2H1 | 121064-1811 |
| | | | R2 | 230V AC | yellow | S11209NR2M1 | 121064-1692 |



**PRE-WIRED SOLENOID CONNECTORS
CONFORM TO INDUSTRY STANDARD
EN 175301-803**

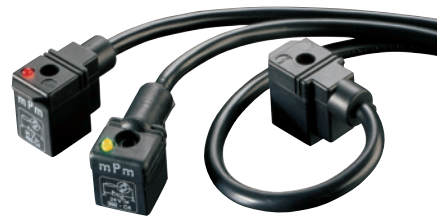
When space and time are in short supply, Brad mPm DIN valve overmolded cordsets provide the perfect solution which also conform to Industry Standard EN 175301-803 (formerly DIN 43650). This is the standard for a series of electrical connectors, which are commonly used with solenoid valves - especially those used on hydraulic and pneumatic valves.



Brad® mPm® Molded Cable DIN Valve Connectors

Conform to EN 175301-803 (ex DIN 43650)

Our connectors with integrated cable are suitable for use with most types of solenoid valves. They offer a fast and efficient method of connection resulting in greatly reduced installation time and cost and it is always preferred in rugged applications. They can be supplied with or without LED indicators and surge suppression circuit. A diagram is printed on each electronic connector to allow an easy user identification.



**DIN Valve connectors with molded cable, IP65 rated.
IP67 version available on request.
Conforms to EN 175301-803.**

Specifications

ELECTRICAL

Current: max. 5.0A
Contact Resistance: ≤15milliohms max.
Insulation Resistance:
100Megohms min.

MECHANICAL

Insertion and Withdrawal Force:
2+GND ≤ 60N

CERTIFICATION

UL recognized, *cURus* marked, file E218123 (product available upon request or specific part number)

PHYSICAL

Durability: min. 50 cycles
Contact Area: Silver
Operating Temperature with:
Nitrile Rubber (NBR) Gasket:
-40° +90°C
Silicone Gasket: -40° +125°C
Live Contact Distance: 18.00mm

ENVIRONMENTAL

IP65 sealing protection
(IP67 available on request)

Non Electronic

E15 2 N2 N 300 1 1

SERIES →
E15=Overmolded Cordset Form A

POLES →
2=2Poles+Ground 3=3Poles+Ground

CABLE TYPE →
see cable options on technical features page 28

HEAD COLOR →
N=Black G=Gray A=UL Black (only with UL listed cable)

CABLE LENGTH →
e.g. 050=50cm 300=3.0m 10K=10.0m

GROUND LOCATION →
1=Double Ground H6/H12 2=H12 6=H6

SCREW & GASKET →
1=Profile NBR Gasket & Screw, 2=Flat NBR Gasket & Screw
3=White Silicone Profile Gasket & Screw, 4=White Silicone Flat Gasket & Screw
P=NBR Integrated Gasket Assembled + IP67 Screw

Electronic

E45 2 N2 N 300 1 1 C4 2

SERIES →
E45=Overmolded Cordset Form A

POLES →
2=2Poles+Ground

CABLE TYPE →
see cable options on technical features page 28

HEAD COLOR →
N=Black G=Gray A=UL Black (only with UL listed cable)

CABLE LENGTH →
e.g. 050=50cm 300=3.0m 10K=10.0m

GROUND LOCATION →
1=Double Ground H6/H12

SCREW & GASKET →
1=Profile NBR Gasket & Screw, 2=Flat NBR Gasket & Screw
3=White Silicone Profile Gasket & Screw, 4=White Silicone Flat Gasket & Screw
P=NBR Integrated Gasket Assembled + IP67 Screw

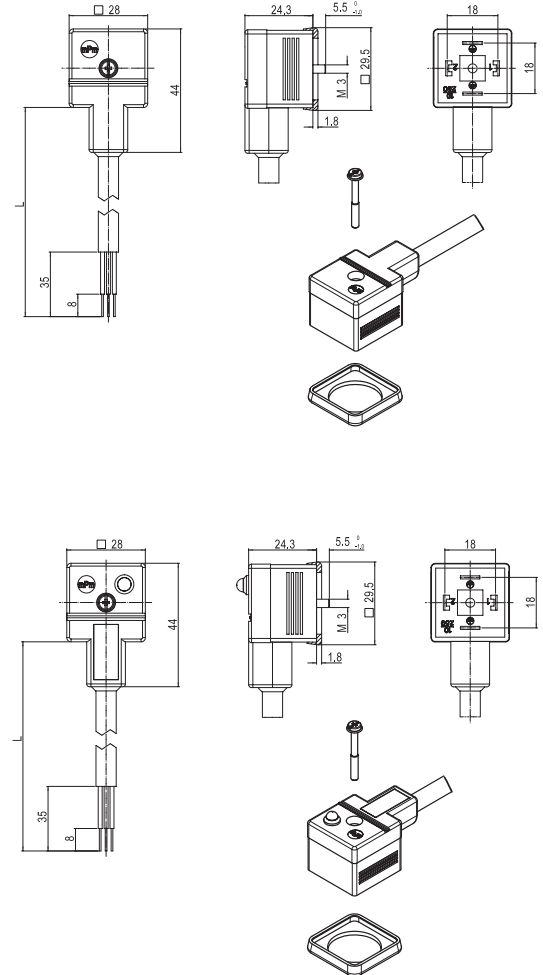
CIRCUIT →
see page 33

VOLTAGE & LED COLOR →
see page 33

Brad® mPm® Molded Cable DIN Valve Connectors

121040 Form A, Overmolded
Non-Electronic

121050 Form A, Overmolded
Electronic



Note: UL listed part number identified by combining UL listed cable with UL overmolding material
e.g. E152A3A30011

Build your connector using the intelligent part number system and contact your local sales representative to identify the proper EDP number to use in your purchase orders

| Ground Position | Poles | Circuit | Voltage | LED Color | Engineering No. | Standard Order No. |
|-----------------|----------|---------|------------|-----------|-----------------|--------------------|
| H6/H12 | 2+Ground | NO | 250V | NO | E152N3N10011 | 121040-0140 |
| H12 | 3+Ground | NO | 250V | NO | E153N3N10021 | 121040-0210 |
| H6 | 3+Ground | NO | 250V | NO | E153N3N10061 | 121040-0212 |
| H6/H12 | 2+Ground | C4 | 24V AC/DC | yellow | E452N3N10011C4H | 121050-0554 |
| H6/H12 | | C4 | 230V AC/DC | yellow | E452N3N10011C4M | 121050-1867 |

**DIN Valve connectors with molded cable, IP65 rated.
IP67 version available on request.**

Specifications

ELECTRICAL

Current: max. 5.0A
Contact Resistance: ≤15milliohms max.
Insulation Resistance:
100Megohms min.

MECHANICAL

Insertion and Withdrawal Force:
2+GND ≤ 60N

CERTIFICATION

UL recognized, *cURus* marked, file E218123 (product available upon request or specific part number)

PHYSICAL

Durability: min. 50 cycles
Contact Area: Silver
Operating Temperature with:
Nitrile Rubber (NBR) Gasket:
-40° +90°C
Silicone Gasket: -40° +125°C
Live Contact Distance: 11.00mm

ENVIRONMENTAL

IP65 sealing protection
(IP67 available on request)

Non Electronic

E16 2 N2 N 300 2 1

SERIES — E16=Overmolded Cordset Form Industrial
POLES — 2=2Poles+Ground
CABLE TYPE — see cable options on technical features page 28
HEAD COLOR — N=Black G=Gray A=UL Black (only with UL listed cable)
CABLE LENGTH — e.g. 050=50cm 300=3.0m 10K=10.0m
GROUND LOCATION — 2=H12 6=H6
SCREW & GASKET — 1=Profile NBR Gasket & Screw, 2=Flat NBR Gasket & Screw
3=White Silicone Profile Gasket & Screw, 4=White Silicone Flat Gasket & Screw
P=NBR Integrated Gasket Assembled + IP67 Screw

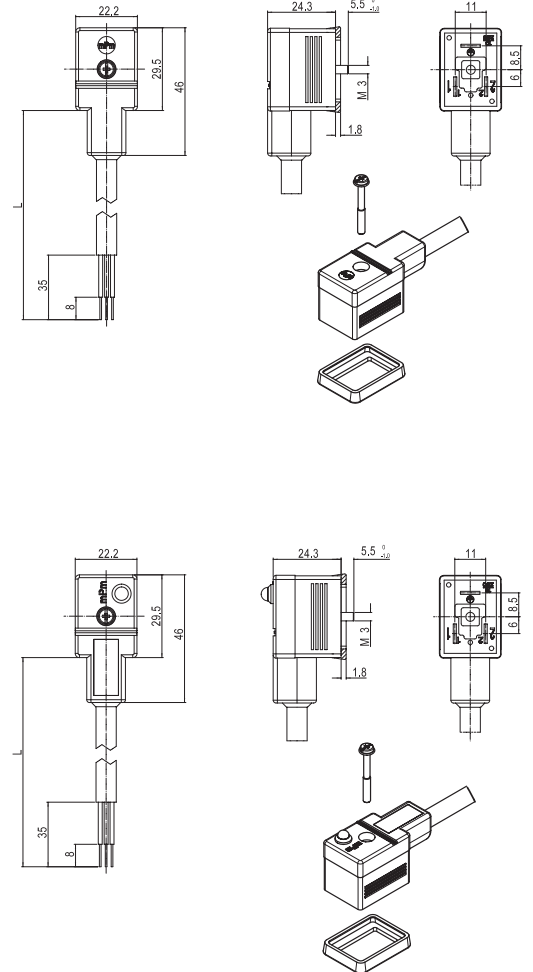
Electronic

E46 2 N2 N 300 2 1 C4 2

SERIES — E46=Overmolded Cordset Form Industrial
POLES — 2=2Poles+Ground
CABLE TYPE — see cable options on technical features page 28
HEAD COLOR — N=Black G=Gray A=UL Black (only with UL listed cable)
CABLE LENGTH — e.g. 050=50cm 300=3.0m 10K=10.0m
GROUND LOCATION — 2=H12 6=H6
SCREW & GASKET — 1=Profile NBR Gasket & Screw, 2=Flat NBR Gasket & Screw
3=White Silicone Profile Gasket & Screw, 4=White Silicone Flat Gasket & Screw
P=NBR Integrated Gasket Assembled + IP67 Screw
CIRCUIT — see page 33
VOLTAGE & LED COLOR — see page 33

Brad® mPm® Molded Cable DIN Valve Connectors

121040 Form Industrial,
Overmolded, Non-Electronic
121050 Form Industrial,
Overmolded, Electronic



Note: UL listed part number identified by combining UL listed cable with UL overmolding material
e.g. E152A3A30011

Build your connector using the intelligent part number system and contact your local sales representative to identify the proper EDP number to use in your purchase orders

| Ground Position | Poles | Circuit | Voltage | LED Color | Engineering No. | Standard Order No. |
|-----------------|----------|---------|------------|-----------|-----------------|--------------------|
| H12 | 2+Ground | NO | 250V | NO | E162N3N10021 | 121040-0295 |
| H6 | | NO | 250V | NO | E162N3N10061 | 121040-0297 |
| H12 | | C4 | 24V AC/DC | yellow | E462N3N10021C4H | 121050-1097 |
| H6 | | C4 | 24V AC/DC | yellow | E462N3N10061C4H | 121050-1108 |
| H12 | | C4 | 230V AC/DC | yellow | E462N3N10021C4M | 121050-3473 |
| H6 | | C4 | 230V AC/DC | yellow | E462N3N10061C4M | 121050-3474 |

**DIN Valve connectors with molded cable, IP65 rated.
IP67 version available on request.
Conforms to EN 175301-803.**

Specifications

ELECTRICAL

Current: max. 5.0A
Contact Resistance: ≤15milliohms max.
Insulation Resistance:
100Megohms min.

MECHANICAL

Insertion and Withdrawal Force:
2+GND ≤ 60N

CERTIFICATION

UL recognized, *cURus* marked, file E218123 (product available upon request or specific part number)

PHYSICAL

Durability: min. 50 cycles
Contact Area: Silver
Operating Temperature with:
Nitrile Rubber (NBR) Gasket:
-40° +90°C
Silicone -40° +125°C
Live Contact Distance: 10.00mm

ENVIRONMENTAL

IP65 sealing protection
(IP67 available on request)

Non Electronic

E07 2 N2 N 300 2 1

SERIES — E07=Overmolded Cordset Form B
POLES — 2=2Poles+Ground
CABLE TYPE — see cable options on technical features page 28
HEAD COLOR — N=Black G=Gray A=UL Black (only with UL listed cable)
CABLE LENGTH — e.g. 050=50cm 300=3.0m 10K=10.0m
GROUND LOCATION — 2=H12 6=H6
SCREW & GASKET — 1=Profile NBR Gasket & Screw, 2=Flat NBR Gasket & Screw
3=White Silicone Profile Gasket & Screw, 4=White Silicone Flat Gasket & Screw
P=NBR Integrated Gasket Assembled + IP67 Screw

Electronic

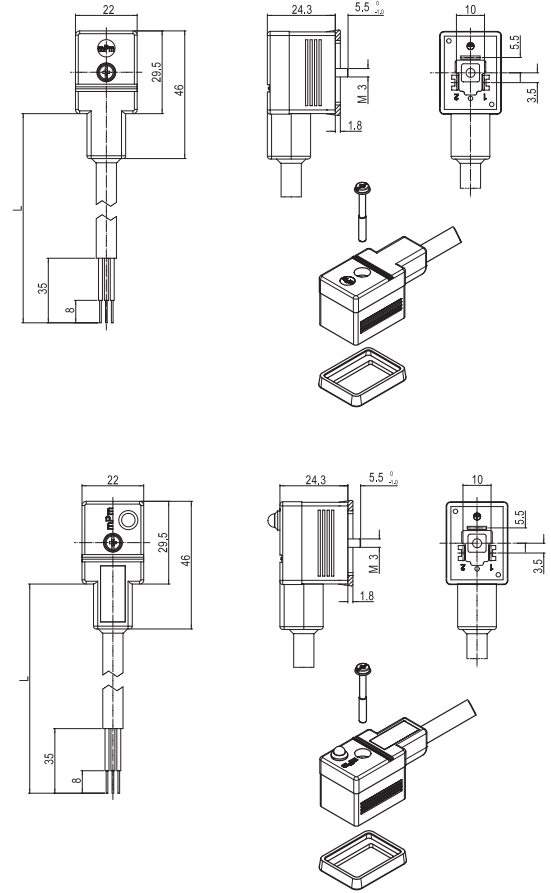
E47 2 N2 N 300 2 1 C4 2

SERIES — E47=Overmolded Cordset Form A
POLES — 2=2Poles+Ground
CABLE TYPE — see cable options on technical features page 28
HEAD COLOR — N=Black G=Gray A=UL Black (only with UL listed cable)
CABLE LENGTH — e.g. 050=50cm 300=3.0m 10K=10.0m
GROUND LOCATION — 2=H12 6=H6
SCREW & GASKET — 1=Profile NBR Gasket & Screw, 2=Flat NBR Gasket & Screw
3=White Silicone Profile Gasket & Screw, 4=White Silicone Flat Gasket & Screw
P=NBR Integrated Gasket Assembled + IP67 Screw
CIRCUIT — see page 33
VOLTAGE & LED COLOR — see page 33

Brad® mPm® Molded Cable DIN Valve Connectors

121040 Form B, Overmolded
Non-Electronic

121050 Form B, Overmolded
Electronic



Note: UL listed part number identified by combining UL listed cable with UL overmolding material
e.g. E152A3A30011

Build your connector using the intelligent part number system and contact your local sales representative to identify the proper EDP number to use in your purchase orders

| Ground Position | Poles | Circuit | Voltage | LED Color | Engineering No. | Standard Order No. |
|-----------------|----------|---------|------------|-----------|-----------------|--------------------|
| H12 | 2+Ground | NO | 250V | NO | E072N3N10021 | 121040-1254 |
| H6 | | NO | 250V | NO | E072N3N10061 | 121040-1401 |
| H12 | | C4 | 24V AC/DC | yellow | E472N3N10021C4H | 121050-3475 |
| H6 | | C4 | 24V AC/DC | yellow | E472N3N10061C4H | 121050-3477 |
| H12 | | C4 | 230V AC/DC | yellow | E472N3N10021C4M | 121050-3476 |
| H6 | | C4 | 230V AC/DC | yellow | E472N3N10061C4M | 121050-3478 |

**DIN Valve connectors with molded cable, IP65 rated.
IP67 version available on request.
Conforms to EN 175301-803.**

Specifications

ELECTRICAL

Current: max. 3.0A
Contact Resistance: ≤15milliohms max.
Insulation Resistance:
100Megohms min.

MECHANICAL

Insertion and Withdrawal Force:
2+GND ≤ 60N

CERTIFICATION

UL recognized, *cURus* marked, file E218123 (product available upon request or specific part number)

PHYSICAL

Durability: min. 50 cycles
Contact Area: Silver
Operating Temperature with:
Nitrile Rubber (NBR) Gasket:
-40° +90°C
Silicone Gasket: -40° +125°C
Live Contact Distance: 8.00mm

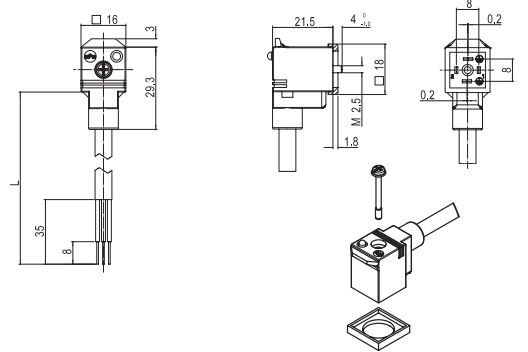
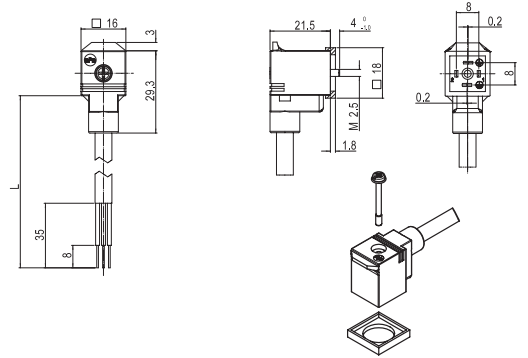
ENVIRONMENTAL

IP65 sealing protection
(IP67 available on request)

Brad® mPm® Molded Cable DIN Valve Connectors

121040 Form C, Overmolded
Non-Electronic

121050 Form C, Overmolded
Electronic



Non Electronic

E43 2 N2 N 300 1 1

SERIES

E43=Overmolded Cordset Form C

POLES

2=2Poles+Ground **3**=3Poles+Ground

CABLE TYPE

see cable options on technical features page 28

HEAD COLOR

N=Black **G**=Gray **A**=UL Black (only with UL listed cable)

CABLE LENGTH

e.g. **050**=50cm **300**=3.0m **10K**=10.0m

GROUND LOCATION

1=Double Ground H6/H12 **2**=H12 **6**=H6

SCREW & GASKET

1=Profile NBR Gasket & Screw, **2**=Flat NBR Gasket & Screw
3=White Silicone Profile Gasket & Screw, **4**=White Silicone Flat Gasket & Screw
T=Profile NBR Gasket + IP67 Fixing Screw

Electronic

E49 2 N2 N 300 1 1 C4 2

SERIES

E49=Overmolded Cordset Form C

POLES

2=2Poles+Ground

CABLE TYPE

see cable options on technical features page 28

HEAD COLOR

N=Black **G**=Gray **A**=UL Black (only with UL listed cable)

CABLE LENGTH

e.g. **050**=50cm **300**=3.0m **10K**=10.0m

GROUND LOCATION

1=Double Ground H6/H12 **2**=H12 **6**=H6

SCREW & GASKET

1=Profile NBR Gasket & Screw, **2**=Flat NBR Gasket & Screw
3=White Silicone Profile Gasket & Screw, **4**=White Silicone Flat Gasket & Screw
T=Profile NBR Gasket + IP67 Fixing Screw

CIRCUIT

see page 33

VOLTAGE & LED COLOR

see page 33

Note: UL listed part number identified by combining UL listed cable with UL overmolding material
e.g. E152A3A30011

Build your connector using the intelligent part number system and contact your local sales representative to identify the proper EDP number to use in your purchase orders

| Ground Position | Poles | Circuit | Voltage | LED Color | Engineering No. | Standard Order No. |
|-----------------|----------|---------|------------|-----------|-----------------|--------------------|
| H6/H12 | 2+Ground | NO | 250V | NO | E432N2N10011 | 121040-0491 |
| H12 | 3+Ground | NO | 250V | NO | E433N2N10021 | 121040-1258 |
| H6 | | NO | 250V | NO | E433N2N10061 | 121040-0730 |
| H6/H12 | 2+Ground | C4 | 24V AC/DC | yellow | E492N2N10011C4H | 121050-1466 |
| H6/H12 | | C4 | 230V AC/DC | yellow | E492N2N10011C4M | 121050-3479 |

**DIN Valve connectors with molded cable, IP65 rated.
IP67 version available on request.**

Brad® mPm® Molded Cable DIN Valve Connectors

121040 Form Micro,
Overmolded, Non-Electronic
121050 Form Micro,
Overmolded, Electronic

Specifications

ELECTRICAL

Current: max. 3.0A
Contact Resistance: ≤15milliohms max.
Insulation Resistance:
100Megohms min.

MECHANICAL

Insertion and Withdrawal Force:
2+GND ≤ 60N

CERTIFICATION

UL recognized, *cURus* marked, file
E218123 (product available upon
request or specific part number)

PHYSICAL

Durability: min. 50 cycles
Contact Area: Silver
Operating Temperature with:
Nitrile Rubber (NBR) Gasket:
-40° +90°C
Silicone Gasket: -40° +125°C
Live Contact Distance: 9.40mm

ENVIRONMENTAL

IP65 sealing protection
(IP67 available on request)

Non Electronic

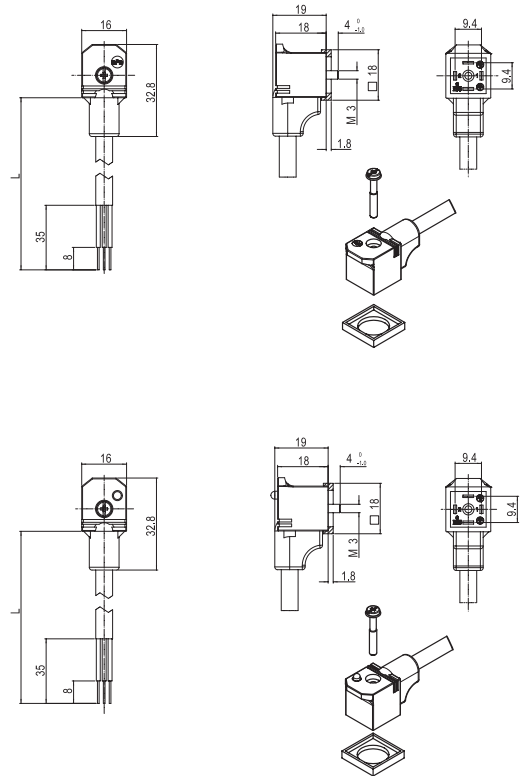
E33 2 N2 N 300 1 1

SERIES |
E33=Overmolded Cordset Form Micro
POLES |
2=2Poles+Ground 3=3Poles+Ground
CABLE TYPE |
see cable options on technical features page 28
HEAD COLOR |
N=Black G=Gray A=UL Black (only with UL listed cable)
CABLE LENGTH |
e.g. 050=50cm 300=3.0m 10K=10.0m
GROUND LOCATION |
1=Double Ground H6/H12 2=H12 6=H6
SCREW & GASKET |
1=Profile NBR Gasket & Screw, 2=Flat NBR Gasket & Screw
3=White Silicone Profile Gasket & Screw, 4=White Silicone Flat Gasket & Screw
T=Profile NBR Gasket + IP67 Fixing Screw

Electronic

E39 2 N2 N 300 1 1 C4 2

SERIES |
E39=Overmolded Cordset Form Micro
POLES |
2=2Poles+Ground
CABLE TYPE |
see cable options on technical features page 28
HEAD COLOR |
N=Black G=Gray A=UL Black (only with UL listed cable)
CABLE LENGTH |
e.g. 050=50cm 300=3.0m 10K=10.0m
GROUND LOCATION |
1=Double Ground H6/H12 2=H12 6=H6
SCREW & GASKET |
1=Profile NBR Gasket & Screw, 2=Flat NBR Gasket & Screw
3=White Silicone Profile Gasket & Screw, 4=White Silicone Flat Gasket & Screw
T=Profile NBR Gasket + IP67 Fixing Screw
CIRCUIT |
see page 33
VOLTAGE & LED COLOR |
see page 33



Note: UL listed part number identified by combining
UL listed cable with UL overmolding material
e.g. E152A3A30011

**Build your connector using the intelligent
part number system and contact your local
sales representative to identify the proper
EDP number to use in your purchase orders**

| Ground Position | Poles | Circuit | Voltage | LED Color | Engineering No. | Standard Order No. |
|-----------------|----------|---------|------------|-----------|-----------------|--------------------|
| H6/H12 | 2+Ground | NO | 250V | NO | E332N2N10011 | 121040-0422 |
| H12 | 3+Ground | NO | 250V | NO | E333N2N10021 | 121040-1260 |
| H6 | | NO | 250V | NO | E333N2N10061 | 121040-1402 |
| H6/H12 | 2+Ground | C4 | 24V AC/DC | yellow | E392N2N10011C4H | 121050-0076 |
| H6/H12 | | C4 | 230V AC/DC | yellow | E392N2N10011C4M | 121050-3472 |

**DIN Valve connectors with molded cable, IP65 rated.
IP67 version available on request.**

Specifications

ELECTRICAL

Current: max. 3.0 or 5.0A
Contact Resistance: ≤ 15 milliohms max.
Insulation Resistance:
100Megohms min.

MECHANICAL

Insertion and Withdrawal Force:
2+GND ≤ 60 N

PHYSICAL

Durability: min. 50 cycles
Contact Area: Silver
Operating Temperature with:
Nitrile Rubber (NBR) Gasket:
-40° +90°C
Silicone Gasket: -40° +125°C
Live Contact Distance:
Form A 18.00mm
Form Industrial 11.00mm
Form B 10.00mm
Form C 8.00mm
Form Micro 9.40mm

Electronic and Non Electronic

E 8 5 0 B 0 P 12 M 100

DIN BODY STYLE

D=Form B 10.00mm (2P+Ground)
E=Form A 18.00mm (2P+Double Ground)
F=Form Ind. 11.00mm (2P+Ground)
G=Form Micro 9.40mm (2P+Double Ground)
H=Form C 8.0mm (2P+Double Ground)

SECOND END OF CABLE

1=Mini-Change Connector
4=Nano-Change M8 Connector
8=Micro-Change M12 Connector

NUMBER OF POLES

3=3 Poles For Mini-Change
5=5 Poles for Micro-Change M12

WIRING

0=Default Standard Wiring

CIRCUIT, VOLTAGE & LED COLOR

A= Circuit S0 24V and Yellow LED
B= Circuit C4 24V and Yellow LED
C= Circuit S0 110v and Yellow LED
D= Circuit C4 110v and Yellow LED
0= No Circuit

SECOND HEAD BODY STYLE

0= Micro-Change M12 Male Straight
Ground on DIN Head DIN H6 (H6/12 for cordset with Double Ground)
1= Micro-Change M12 Male Straight
Ground on DIN Head DIN H12 (not for Double Ground DIN)
2= Micro-Change M12 Male 90°
Ground on DIN Head DIN H6 (H6/12 for cordset with Double Ground)
3= Micro-Change M12 Male 90°
Ground on DIN Head DIN H12 (not for Double Ground DIN)
4= Mini-Change Male Straight
Ground on DIN Head DIN H6 (H6/12 for cordset with Double Ground)
5= Mini-Change Male Straight
Ground on DIN Head DIN H12 (not for Double Ground DIN)
6= Mini-Change Male 90°
Ground on DIN Head DIN H6 (H6/12 for cordset with Double Ground)
7= Mini-Change Male 90°
Ground on DIN Head DIN H12 (not for Double Ground DIN)

CABLE UNIT OF MEASURE

A23=Black PVC 0.75mm²
E12=Black PVC 0.50mm²
P12=Black PUR 0.50mm²
B08=Yellow PUR 18 AWG

CABLE UNIT OF MEASURE

M=Meters

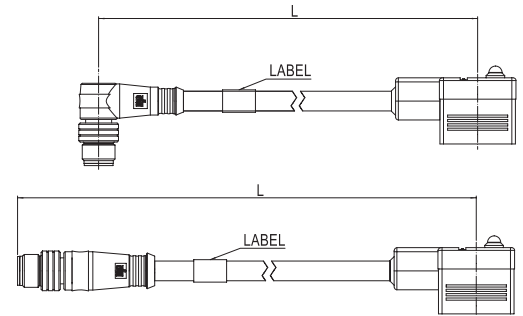
CABLE LENGTH

e.g. 003=0.3m 010=1m 100=10m

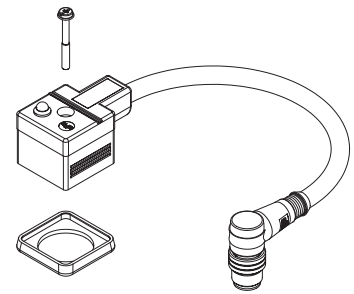
Brad® mPm® Molded Cable DIN Valve Connectors

121035 DIN Valve to Brad M12,
Overmolded, Non-Electronic

121036 DIN Valve to Brad M12,
Overmolded, Electronic



This technical data is referred on the DIN connector head, for Brad connector data please refer to the proper catalogue



Build your connector using the intelligent part number system and contact your local sales representative to identify the proper EDP number to use in your purchase orders

| Ground Position | Poles | Circuit | Voltage | LED Color | Engineering No. | Standard Order No. |
|---|----------|---------|-----------|-----------|-----------------|--------------------|
| Check Sales Drawing on www.molex.com | 2+Ground | C4 | 24V AC/DC | yellow | D850B0P12M010 | 121036-0825 |
| | | | | | E850B0P12M010 | 121036-0193 |
| | | | | | F850B0P12M010 | 121036-0255 |
| | | | | | G850B0P12M010 | 121036-0277 |
| | | | | | H850B0P12M010 | 121036-0296 |

**DIN Valve connectors with molded cable, IP65 rated.
IP67 version available on request.**

Specifications

ELECTRICAL

Current: max. 5.0A
Contact Resistance: ≤15milliohms max.
Insulation Resistance:
100Megohms min.

MECHANICAL

Insertion and Withdrawal Force:
2+GND ≤ 60N

PHYSICAL

Durability: min. 50 cycles
Contact Area: Silver
Operating Temperature with:
Nitrile Rubber (NBR) Gasket:
-40° +90°C
Silicone Gasket: -40° +125°C
Live Contact Distance:
Form A 18.00mm
Form Industrial 11.00mm
Form B 10.00mm

ENVIRONMENTAL

IP65 sealing protection
(IP67 available on request)

Electronic and Non Electronic

E6 5 2 N2 N A 26 1 1 C4 1

SERIES

E6=Overmolded Dual DIN Cordset

SERIES

5=Form A **6**=Form Industrial **7**=Form B

NUMBER OF POLES

2=2 Poles + No GND connected

3=2 Poles + GND connected

A=M12 Straight **B**=M12 90°

CABLE

see cable options on technical features page 28

HEAD COLOR

N=Black **G**=Gray **A**=UL Black (only with UL listed cable)

MAIN CABLE LENGTH (m)

A=1 **B**=1,5 **C**=2 **D**=2,5 **E**=3 **F**=3,5 **G**=4 **H**=4,5 **L**=5 **M**=5,5 **N**=6
P=6,5 **Q**=7 **R**=7,5 **S**=8 **T**=8,5 **U**=9 **K**=10 **O**=M12 Molded on DIN Head

DISTANCE BETWEEN THE HEADS

e.g. **26**=26cm (min distance between 2 heads 13cm)

GROUND LOCATION

1=Double Ground H6/H12 **2**=H12 **6**=H6

SCREW & GASKET

1=Profile NBR Gasket & Screw, **2**=Flat NBR Gasket & Screw

3=White Silicone Profile Gasket & Screw, **4**=White Silicone Flat Gasket & Screw

P=Integrated NBR Gasket Assembled + IP67 Fixing Screw

CIRCUIT

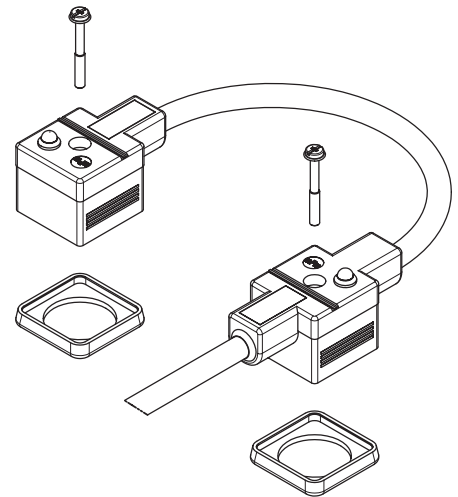
see page No. 33

VOLTAGE & LED COLOR

see page No. 33

Brad® mPm® Molded Cable DIN Valve Connectors

121055 DUAL DIN Valve,
Overmolded,
Non-Electronic or Electronic



This technical data is referred on the DIN connector head, for Brad connector data please refer to the proper catalogue

Build your connector using the intelligent part number system and contact your local sales representative to identify the proper EDP number to use in your purchase orders

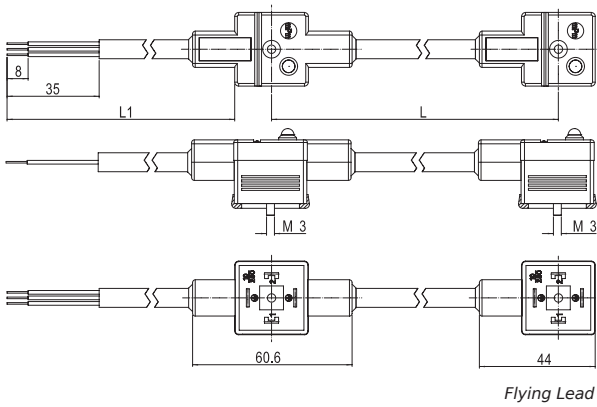
| Ground Position | Poles | Circuit | Voltage | LED Color | Engineering No. | Standard Order No. |
|---|---------------------------|---------|------------|-----------|-----------------|--------------------|
| Check Sales Drawing on www.molex.com | 2+Ground connected | C4 | 24V AC/DC | yellow | E653P3NA1311C4H | 121055-0161 |
| | | | 230V AC/DC | | E653P3NA1311C4M | 121055-0292 |
| | 2+Ground not connected | | 24V AC/DC | | E662P3NA1361C4H | 121055-0293 |
| | | | 230V AC/DC | | E662P3NA1361C4M | 121055-0294 |
| | | | 24V AC/DC | | E672P3NA1361C4H | 121055-0295 |
| | | | 230V AC/DC | | E672P3NA1361C4M | 121055-0296 |

DIN Valve connectors with molded cable, IP65 rated.
IP67 version available on request.

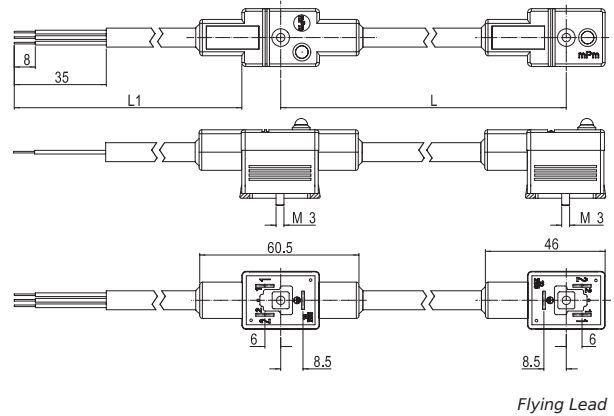
Brad® mPm® Molded Cable DIN Valve Connectors

121055 DUAL DIN Valve,
Overmolded,
Non-Electronic or Electronic

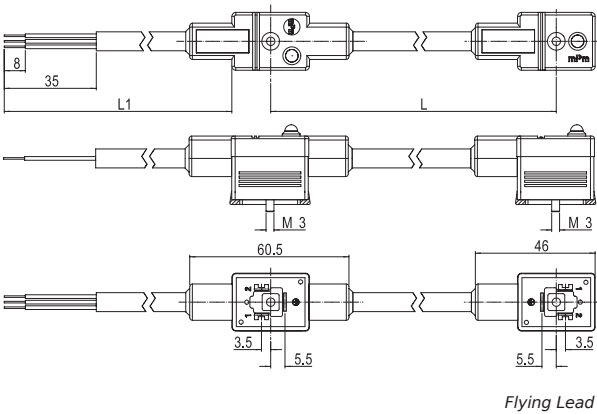
E65 Dual DIN Form A



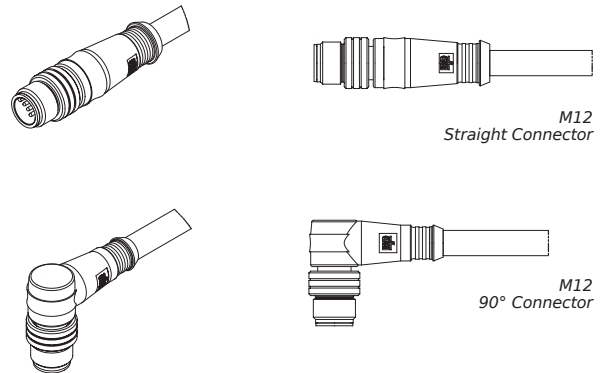
E66 Dual DIN Form Industrial



E67 Dual DIN Form B



Brad Micro-Change M12



**DIN Valve connectors with molded cable, IP65 rated.
IP67 version available on request.**

Specifications

ELECTRICAL

Current: max. 3.0A or 5.0A
Contact Resistance: ≤15milliohms max.
Insulation Resistance:
100Megohms min.

MECHANICAL

Insertion and Withdrawal Force:
2+GND ≤ 60N

ENVIRONMENTAL

IP65 sealing protection
(IP67 available on request)

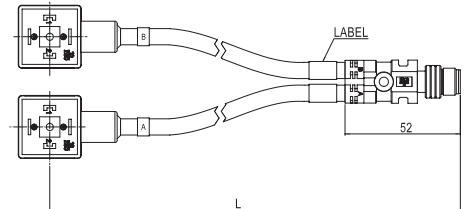
PHYSICAL

Durability: min. 50 cycles
Contact Area: Silver
Operating Temperature with:
Nitrile Rubber (NBR) Gasket:
-40° +90°C
Silicone Gasket: -40° +125°C
Live Contact Distance:
Form A 18mm
Form Industrial 11mm
Form B 10mm
Form C 8mm
Form Micro 9.4mm

Brad® mPm® Molded Cable DIN Valve Connectors

121035 DIN Valve to Brad ILS,
Overmolded, Non-Electronic

121036 DIN Valve to Brad ILS,
Overmolded, Electronic



Electronic and Non Electronic

E 8 5 A B 0 P12 M 100

DIN BODY STYLE

D=Form B 10.00mm (2P+Ground)
E=Form A 18.00mm (2P+Double Ground)
F=Form Ind. 11.00mm (2P+Ground)
G=Form Micro 9.40mm (2P+Double Ground)
H=Form C 8.0mm (2P+Double Ground)

SECOND END OF CABLE

8=Micro-Change M12 Connector

NUMBER OF POLES

5=5 Poles for Micro-Change M12

WIRING

A=In-Line Splitter

CIRCUIT, VOLTAGE & LED COLOR

A=Circuit S0 24V and Yellow LED
B=Circuit C4 24V and Yellow LED
C=Circuit S0 110v and Yellow LED
D=Circuit C4 110v and Yellow LED
0=No Circuit

SECOND HEAD BODY STYLE

0= Micro-Change M12 Male Straight
Ground on DIN Head DIN H6 (H6/12 for cordset with Double Ground)
1= Micro-Change M12 Male Straight
Ground on DIN Head DIN H12 (not for Double Ground DIN)

CABLE UNIT OF MEASURE

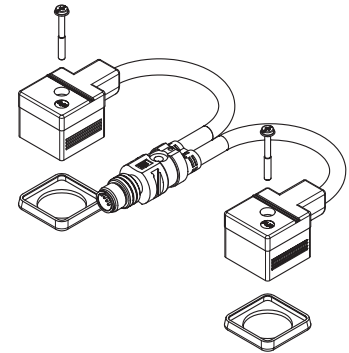
A23=Black PVC 0.75mm²
E12=Black PVC 0.50mm²
P12=Black PUR 0.50mm²
B08=Yellow PUR 18 AWG

CABLE UNIT OF MEASURE

M=Meters

CABLE LENGTH

e.g. **003**=0.3m **010**=1m **100**=10m



This technical data is referred on the DIN connector head, for Brad connector data please refer to the proper catalogue

Build your connector using the intelligent part number system and contact your local sales representative to identify the proper EDP number to use in your purchase orders

| Ground Position | Poles | Circuit | Voltage | LED Color | Engineering No. | Standard Order No. |
|-----------------|----------|---------|-----------|-----------|-----------------|--------------------|
| See drawing | 2+Ground | C4 | 24V AC/DC | yellow | D85AB0P12M010 | 121036-0925 |
| | | | | | E85AB0P12M010 | 121036-0577 |
| | | | | | F85AB0P12M010 | 121036-0378 |
| | | | | | G85AB0P12M010 | 121036-0926 |
| | | | | | H85AB0P12M010 | 121036-0927 |

**DIN Valve connectors with molded cable, IP65 rated.
IP67 version available on request.**

Specifications

ELECTRICAL

Current: max. 3.0A or 5.0A
Contact Resistance: ≤ 15 milliohms max.
Insulation Resistance:
100 Megohms min.

MECHANICAL

Insertion and Withdrawal Force:
2+GND ≤ 60 N

ENVIRONMENTAL

IP65 sealing protection
(IP67 available on request)

PHYSICAL

Durability: min. 50 cycles
Contact Area: Silver
Operating Temperature with:
Nitrile Rubber (NBR) Gasket:
-40° +90°C
Silicone Gasket: -40° +125°C
Live Contact Distance:
Form A 18mm
Form Industrial 11mm
Form B 10mm
Form C 8mm
Form Micro 9.4mm

Electronic and Non Electronic

E 8 5 0 B 0

DIN BODY STYLE

D=Form B 10.00mm (2P+Ground)
E=Form A 18.00mm (2P+Double Ground)
F=Form Ind. 11.00mm (2P+Ground)
G=Form Micro 9.40mm (2P+Double Ground)
H=Form C 8.0mm (2P+Double Ground)

BRAD M8/M12 Exit

5=Nano-Change M8 Connector
8=Micro-Change M12 Connector

NUMBER OF POLES

3=3 Poles For Mini-Change
5=5 Poles for Micro-Change M12

WIRING

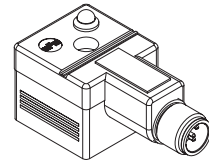
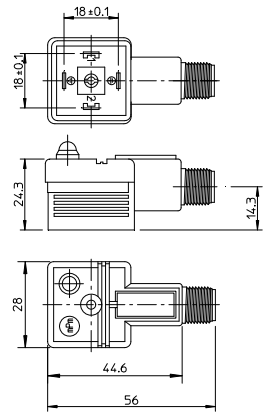
0=Default Standard Wiring

CIRCUIT, VOLTAGE & LED COLOR

A=Circuit S0 24V and Yellow LED
B=Circuit C4 24V and Yellow LED
C=Circuit S0 110v and Yellow LED
D=Circuit C4 110v and Yellow LED
0=No Circuit

HEAD BODY STYLE

0=Brad M8 / M12 Male Straight
Ground on DIN Head DIN H6 (H6/12 for cordset with Double Ground)
1=Brad M8 / M12 Male Straight
Ground on DIN Head DIN H12 (not for Double Ground DIN)



This technical data is referred on the DIN connector head, for Brad connector data please refer to the proper catalogue

Build your connector using the intelligent part number system and contact your local sales representative to identify the proper EDP number to use in your purchase orders

| Ground Position | Poles | Circuit | Voltage | LED Color | Engineering No. | Standard Order No. |
|-----------------|----------|---------|-----------|-----------|-----------------|--------------------|
| See drawing | 2+Ground | C4 | 24V AC/DC | yellow | E850B0 | 121037-0035 |
| | | | | | F850B0 | 121037-0058 |
| | | | | | G850B0 | 121037-0068 |
| | | | | | H850B0 | 121037-0075 |

Cable Types

| Cable Type | Code | Features |
|-----------------|----------|--|
| Harmonized PVC | N | Cable used for general purpose, has a good resistance to water but usually poor against chemical oils. |
| PVC CEI 2022 II | I | Approved to iec332-2a, it is flame retardant and self estinguish, limited resistance against mineral oils. |
| PUR Blend | P | This cable offers a good resistance against chemicals and oils but has a poor resistance to water. |
| PVC UL 2661 | A | Approved UL2661, application for general purpose. This cable has a good resistance to water but usually poor oil resistance. |
| PUR UL 20668 | B | Approved UL20668, cable with very good resistance against oils and chemicals. |

Technical Features

| Cable Code | Strand / Cross | Type | External Diam. (mm) | | Temp. Range (static) | | Bending Radius (mm) | |
|------------|-----------------------|--------------------|---------------------|-----------|----------------------|----------|---------------------|---------|
| | | | nominal | tolerance | min (°C) | max (°C) | static | dinamic |
| I 2 | 2x0.50mm ² | PVC CEI 2022 II | 5,50 | +0,4/-0,0 | -25 | +70 | >10xD | >15xD |
| I 2 | 3x0.50mm ² | PVC CEI 2022 II | 5,50 | +0,4/-0,0 | -25 | +70 | >10xD | >15xD |
| I 2 | 4x0.50mm ² | PVC CEI 2022 II | 6,50 | ±0,3 | -25 | +70 | >10xD | >15xD |
| P 2 | 2x0.50mm ² | PUR BLEND | 5,50 | ±0,3 | -40 | +90 | >7,5xD | >12,5xD |
| P 2 | 3x0.50mm ² | PUR BLEND | 5,50 | +0,5/-0,0 | -40 | +90 | >7,5xD | >12,5xD |
| P 2 | 4x0.50mm ² | PUR BLEND | 6,50 | ±0,3 | -40 | +90 | >7,5xD | >12,5xD |
| A 2 | 2x20 AWG | PVC UL 2661 | 5,40 | ±0,3 | -30 | +105 | >10xD | >15xD |
| A 2 | 3x20 AWG | PVC UL 2661 | 5,60 | ±0,3 | -30 | +105 | >10xD | >15xD |
| A 2 | 4x20 AWG | PVC UL 2661 | 6,20 | ±0,35 | -30 | +105 | >10xD | >15xD |
| B 2 | 2x20 AWG | PUR UL 20668 | 5,60 | ±0,3 | -40 | +90 | >5xD | >10xD |
| B 2 | 3x20 AWG | PUR UL 20668 | 5,60 | ±0,3 | -40 | +90 | >5xD | >10xD |
| B 2 | 4x20 AWG | PUR UL 20668 | 6,30 | ±0,3 | -40 | +90 | >5xD | >10xD |
| N 2 | 2x0.50mm ² | HARMONIZED PVC H03 | 5,20 | ±0,3 | -20 | +70 | >3xD | NA |
| N 2 | 3x0.50mm ² | HARMONIZED PVC H03 | 5,50 | ±0,3 | -20 | +70 | >3xD | NA |
| N 2 | 4x0.50mm ² | HARMONIZED PVC H03 | 5,90 | ±0,4 | -20 | +70 | >3xD | NA |
| I 3 | 2x0.75mm ² | PVC CEI 2022 II | 5,50 | ±0,3 | -25 | +70 | >10xD | >15xD |
| I 3 | 3x0.75mm ² | PVC CEI 2022 II | 6,00 | ±0,3 | -25 | +70 | >10xD | >15xD |
| I 3 | 4x0.75mm ² | PVC CEI 2022 II | 7,00 | ±0,3 | -25 | +70 | >10xD | >15xD |
| P 3 | 2x0.75mm ² | PUR BLEND | 6,50 | ±0,3 | -40 | +90 | >7,5xD | >12,5xD |
| P 3 | 3x0.75mm ² | PUR BLEND | 6,50 | ±0,3 | -40 | +90 | >7,5xD | >12,5xD |
| P 3 | 4x0.75mm ² | PUR BLEND | 7,00 | ±0,3 | -40 | +90 | >7,5xD | >12,5xD |
| A 3 | 2x18 AWG | PVC UL 2661 | 6,20 | ±0,35 | -30 | +105 | >10xD | >15xD |
| A 3 | 3x18 AWG | PVC UL 2661 | 6,50 | ±0,35 | -30 | +105 | >10xD | >15xD |
| A 3 | 4x18 AWG | PVC UL 2661 | 7,00 | +0,4/-0,0 | -30 | +105 | >10xD | >15xD |
| B 3 | 2x18 AWG | PUR UL 20668 | 6,20 | ±0,3 | -40 | +90 | >5xD | >10xD |
| B 3 | 3x18 AWG | PUR UL 20668 | 6,50 | ±0,3 | -40 | +90 | >5xD | >10xD |
| B 3 | 4x18 AWG | PUR UL 20668 | 7,00 | ±0,3 | -40 | +90 | >5xD | >10xD |
| N 3 | 2x0.75mm ² | HARMONIZED PVC H05 | 6,20 | ±0,3 | -20 | +70 | >9xD | NA |
| N 3 | 3x0.75mm ² | HARMONIZED PVC H05 | 6,50 | ±0,3 | -20 | +70 | >9xD | NA |
| N 3 | 4x0.75mm ² | HARMONIZED PVC H05 | 7,10 | ±0,4 | -20 | +70 | >9xD | NA |
| I 4 | 2x1mm ² | PVC CEI 2022 II | 7,10 | ±0,3 | -25 | +70 | >10xD | >15xD |
| I 4 | 3x1mm ² | PVC CEI 2022 II | 7,10 | +0,4/-0,0 | -25 | +70 | >10xD | >15xD |
| N 4 | 2x1mm ² | HARMONIZED PVC H05 | 6,50 | ±0,3 | -20 | +70 | >9xD | NA |
| N 4 | 3x1mm ² | HARMONIZED PVC H05 | 6,90 | ±0,3 | -20 | +70 | >9xD | NA |

Our circuit range provides LED indication or suppressor circuitry for surge protection.

Many other circuit configurations are available upon request; contact your local sales representative to identify the proper EDP number to use in your purchase orders.

Circuit Options

SUPPLY VOLTAGE AND LED COLOR

| | | | | | |
|----------|-----------|----------|-------------|----------|--------------|
| 1 = 12V | } Red LED | A = 12V | } Green LED | G = 12V | } Yellow LED |
| 2 = 24V | | B = 24V | | H = 24V | |
| 3 = 48V | | C = 48V | | K = 48V | |
| 4 = 115V | | D = 115V | | L = 115V | |
| 5 = 230V | | E = 230V | | M = 230V | |

| Input | Circuit Schematic | Load | Circuit Description | Available on Product Type |
|---------|-------------------|------|---|---|
| V AC/DC | | | CIRCUIT A1 With bipolar LED, provides a luminous signal when power is applied. | Connectors Series S, Series E (only with Electronic) and Series A |
| V DC | | | CIRCUIT C3 With LED and diode to protect against peak of overvoltage when switching off. | Connectors Series S, Series E (only with Electronic) and Series A |
| V AC/DC | | | CIRCUIT C4 With bipolar LED and VDR to protect supply and switch against peak of overvoltage. | Connectors Series S, Series E (only with Electronic) and Series A |
| V AC/DC | | | CIRCUIT D0 With VDR to protect supply and switch from peak of overvoltage. | Connectors Series S, Series E (only with Electronic) |
| V DC | | | CIRCUIT E0 With diode to protect against peak of overvoltage when switching off. | Connectors Series S, Series E (only with Electronic) |
| V AC/DC | | | CIRCUIT S0 With transient suppressor (transil) to provide blocking of input and output overvoltage. a bipolar LED provide a visual information when power is applied. | Connectors Series S, Series E (only with Electronic) and Series A |
| V AC/DC | | | CIRCUIT S1 With transient suppressor (transil) to provide blocking of input and output overvoltage. | Connectors Series S, Series E (only with Electronic) |
| V AC | | | CIRCUIT R0 Full wave bridge rectifier with VDR to protect against overvoltage. | Connectors Series S53/54/11, Series E451 (only with Electronic) |
| V AC | | | CIRCUIT R2 Full wave bridge rectifier with VDR to protect against overvoltage and LED to confirm the presence of the rectified DC voltage. | Connectors Series S53/54/11, Series E451 (only with Electronic) |



**SAFE AND RELIABLE PRODUCTS >
DESIGNED FOR DEMANDING
ENVIRONMENTS**

Brad mPm DIN valve bases follow industry standards and are used where rapid installation and service are required. Bases are used as protective enclosures for electrical connection in conjunction with hydraulic and pneumatic solenoid valves as well as sensors.



Brad® mPm® DIN Bases

Conform to EN 175301-803 (ex DIN 43650)

The bases range is used extensively together with Molex mPm connectors to provide electrical connections in a wide range of applications. The most common application for mPm bases is in conjunction with hydraulic, pneumatic or electromagnetic devices. Other applications include, for example, pressure transducers, proximity switches, level sensors, limit switches, thermostats and low energy motors.



DIN Bases are provided in kit with fixing screw and gasket where required. The range covers the most important and common applications

Specifications

ELECTRICAL

See following pages for details

CERTIFICATION

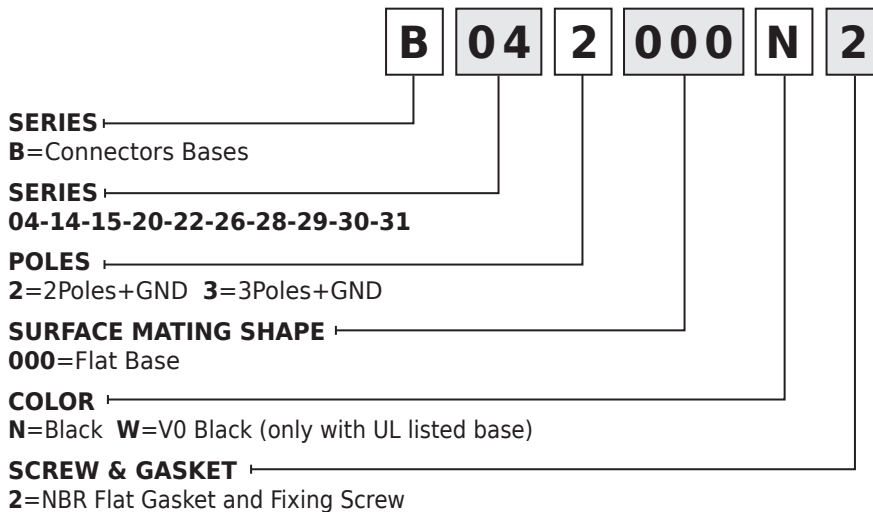
UL recognized, *cURus* marked, file E218123 (product available upon request or specific part number)

PHYSICAL

Durability: min. 50 cycles
 Contact Area: Silver
 Solder Tail Area: Silver
 Operating Temperature with:
 Nitrile Rubber (NBR) Gasket:
 -40° +90°C
 Silicone Gasket: -40° +125°C
 Live Contact Distance:
 Form A 18.00mm
 Form Industrial 11.00mm
 Form C 8.00mm
 Form Micro 9.40mm

Brad® mPm® DIN Bases

- 121012** Form A
- 121012** Industrial
- 121012** Form C
- 121012** Form Micro



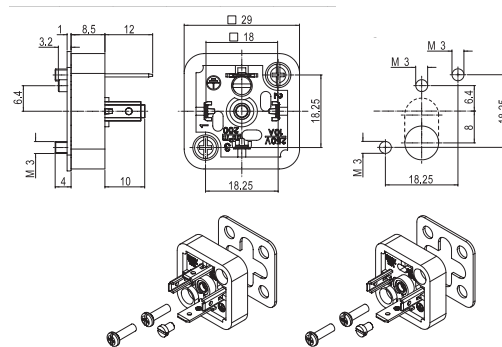
Note: UL listed part number identified by adding suffix SA at the end of the nomenclature in conjunction with UL material (W for black and T for transparent) e.g. B142000W2SA

Build your connector using the intelligent part number system and contact your local sales representative to identify the proper EDP number to use in your purchase orders

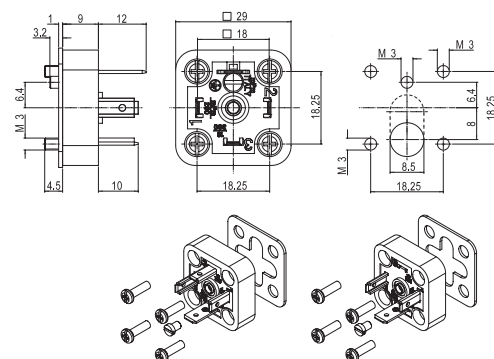
DIN Bases are provided in kit with fixing screw and gasket where required. The range covers the most important and common applications.

121012 Form A
121012 Industrial
121012 Form C
121012 Form Micro

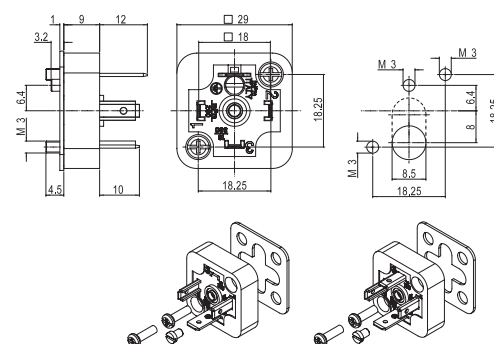
| | | |
|--|---------------------|----------------|
| Code | B202000N2 | B203000N2 |
| Standard Order No. | 121012-0013 | 121012-0019 |
| Nominal Voltage | 250V AC/300V DC | |
| Poles | 2 + Ground | 3 + Ground |
| Max. Wire Sect. | 1.00mm ² | |
| Mate with | Form A 2 Poles | Form A 3 Poles |
| Base with external fixing screw for assembly on flat surface. This base allow to solder wire in front or back of the base. | | |



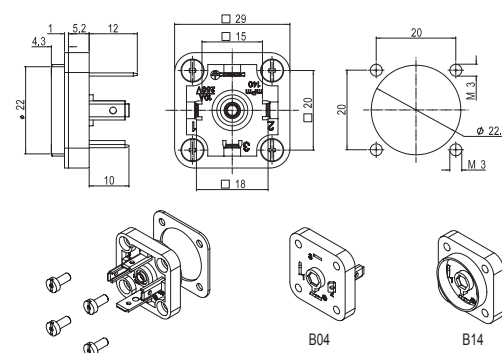
| | | |
|---|---------------------|----------------|
| Code | B262000N2 | B263000N2 |
| Standard Order No. | 121012-0071 | 121012-0076 |
| Nominal Voltage | 250V AC/300V DC | |
| Poles | 2 + Ground | 3 + Ground |
| Max. Wire Sect. | 1.00mm ² | |
| Mate with | Form A 2 Poles | Form A 3 Poles |
| Base with external fixing screw for assembly on flat surface. | | |



| | | |
|---|---------------------|----------------|
| Code | B282000N2 | B283000N2 |
| Standard Order No. | 121012-0095 | 121012-0099 |
| Nominal Voltage | 250V AC/300V DC | |
| Poles | 2 + Ground | 3 + Ground |
| Max. Wire Sect. | 1.00mm ² | |
| Mate with | Form A 2 Poles | Form A 3 Poles |
| Base with external fixing screw for assembly on flat surface. | | |



| | | |
|---|---------------------|----------------|
| Code | B142000N2 | B143000N2 |
| Standard Order No. | 121012-0006 | 121012-0007 |
| Code | B042000N2 | B043000N2 |
| Standard Order No. | 121012-0001 | 121012-0003 |
| Nominal Voltage | 250V AC/300V DC | |
| Poles | 2 + Ground | 3 + Ground |
| Max. Wire Sect. | 1.00mm ² | |
| Mate with | Form A 2 Poles | Form A 3 Poles |
| Base with external fixing screw for assembly on flat surface with hole max. Diam. 22,5mm. | | |

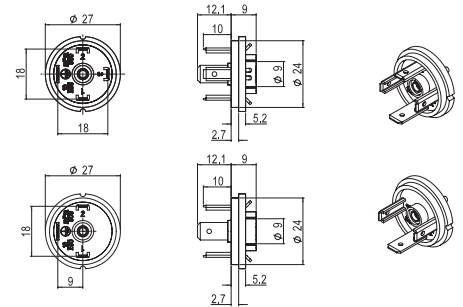


DIN Bases are provided in kit with fixing screw and gasket where required. The range covers the most important and common applications.

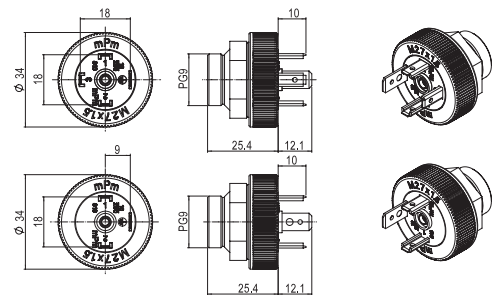
Brad® mPm® DIN Bases

- 121012 Form A
- 121012 Industrial
- 121012 Form C
- 121012 Form Micro

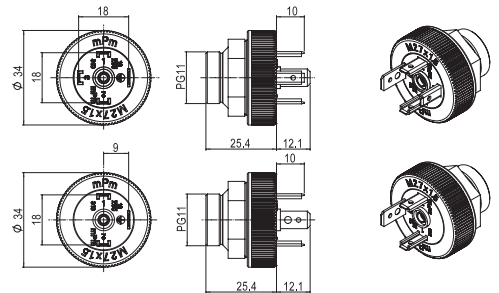
| | | |
|--|---------------------|----------------|
| Code | B302000N0 | B303000N0 |
| Standard Order No. | 121012-0112 | 121012-0114 |
| Nominal Voltage | 250V AC/300V DC | |
| Poles | 2 + Ground | 3 + Ground |
| Max. Wire Sect. | 1.00mm ² | |
| Mate with | Form A 2 Poles | Form A 3 Poles |
| Base can be molded directly with the coil or assembled into the application. | | |



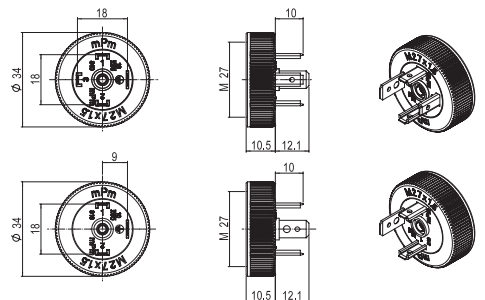
| | | |
|--|---------------------|----------------|
| Code | B312P09N0 | B313P09N0 |
| Standard Order No. | 121012-0117 | 121012-0121 |
| Nominal Voltage | 250V AC/300V DC | |
| Poles | 2 + Ground | 3 + Ground |
| Max. Wire Sect. | 1.00mm ² | |
| Mate with | Form A 2 Poles | Form A 3 Poles |
| Base allowed to assembled using a PG 9 thread. | | |



| | | |
|---|---------------------|----------------|
| Code | B312P11N0 | B313P11N0 |
| Standard Order No. | 121012-0118 | 121012-0122 |
| Nominal Voltage | 250V AC/300V DC | |
| Poles | 2 + Ground | 3 + Ground |
| Max. Wire Sect. | 1.00mm ² | |
| Mate with | Form A 2 Poles | Form A 3 Poles |
| Base allowed to assembled using a PG 11 thread. | | |



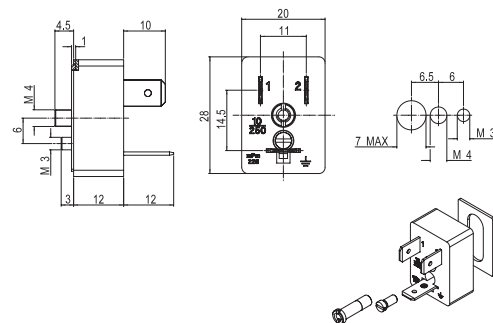
| | | |
|---|---------------------|----------------|
| Code | B312M27N0 | B313M27N0 |
| Standard Order No. | 121012-0116 | 121012-0120 |
| Nominal Voltage | 250V AC/300V DC | |
| Poles | 2 + Ground | 3 + Ground |
| Max. Wire Sect. | 1.00mm ² | |
| Mate with | Form A 2 Poles | Form A 3 Poles |
| Base allowed to assembled using a lock fixing nut M27 thread. | | |



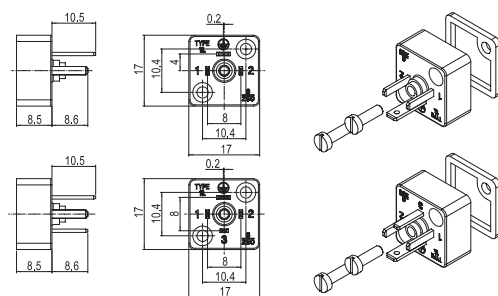
DIN Bases are provided in kit with fixing screw and gasket where required. The range covers the most important and common applications.

121012 Form A
121012 Industrial
121012 Form C
121012 Form Micro

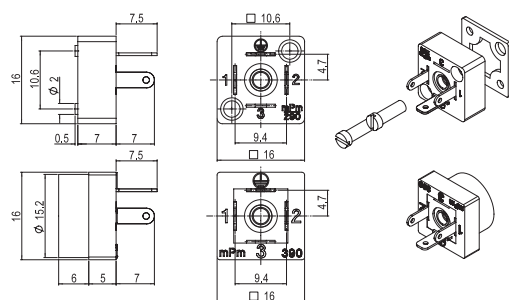
| | |
|---|-------------------------|
| Code | B222000N2 |
| Standard Order No. | 121012-0047 |
| Nominal Voltage | 250V AC/300V DC |
| Poles | 2 + Ground |
| Max. Wire Sect. | 1.00mm ² |
| Mate with | Form Industrial 2 Poles |
| Base with central fixing screw to assemble on flat surface. | |



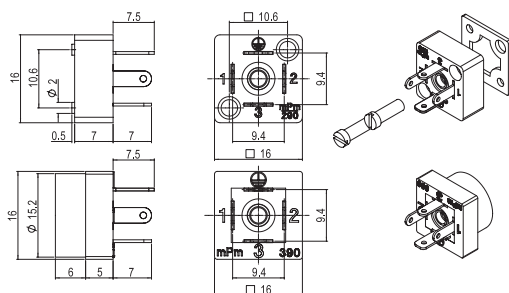
| | | |
|---|---------------------|---------------------|
| Code | B152000N2 | B153000N2 |
| Standard Order No. | 121012-0009 | 121012-0010 |
| Nominal Voltage | 250V AC/300V DC | |
| Poles | 2 + Ground | 3 + Ground |
| Max. Wire Sect. | 0,75mm ² | 0,75mm ² |
| Mate with | Form C 2 Poles | Form C 3 Poles |
| Base with external fixing screw for assembly on flat surface. | | |



| | | |
|--|---------------------|---------------------|
| Code | B292000N2 | B392000N0 |
| Standard Order No. | 121012-0102 | 121012-0126 |
| Nominal Voltage | 250V AC/300V DC | |
| Poles | 2 + Ground | 2 + Ground |
| Max. Wire Sect. | 0,75mm ² | 0,75mm ² |
| Mate with | Form Micro 2 Poles | Form Micro 2 Poles |
| B292 base with external fixing screw for assembly on flat surface. B392 for assembly on surface with hole Diam. 15mm | | |



| | | |
|---|---------------------|---------------------|
| Code | B293000N2 | B393000N0 |
| Standard Order No. | 121012-0107 | 121012-0127 |
| Nominal Voltage | 250V AC/300V DC | |
| Poles | 3 + Ground | 3 + Ground |
| Max. Wire Sect. | 0,75mm ² | 0,75mm ² |
| Mate with | Form Micro 3 Poles | Form Micro 3 Poles |
| B293 base with external fixing screw for assembly on flat surface. B393 for assembly on surface with hole Diam. 15mm. | | |





**HIGH QUALITY SOLENOID VALVE
ADAPTORS 
ENSURE FLEXIBILITY AND
PROTECTION**

The Brad mPm DIN valve adaptors are developed in compliance with current standards and specifications to guarantee a high level of performance, reliability and availability. Adaptors provide easier assembly and mounting at lower applied costs.



Brad® mPm® DIN Adaptors

Conform to EN 175301-803 (ex DIN 43650)

The adaptors with protective circuit are wafer interfaces which fit between the solenoid and the power connector. Thus providing the opportunity to upgrade with protection and indicator facilities with a minimum assembly time whilst retaining the existing component.



DIN Adaptors with protective circuit. The range covers the most important and common applications.

- 121001** Form A
- 121001** Industrial
- 121001** Form B
- 121001** Form Micro

Specifications

ELECTRICAL

See following pages

PHYSICAL

Durability: min. 50 cycles

Live Contact Distance:

- Form A 18.00mm
- Form Industrial 11.00mm
- Form B 10.00mm
- Form Micro 9.40mm

SERIES

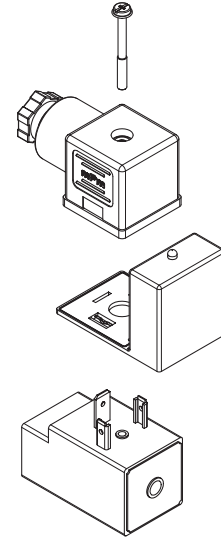
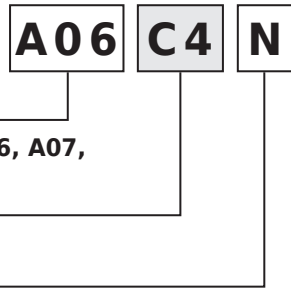
A01, A02, A03, A04, A05, A06, A07, A08, A09, A10, A11

CIRCUIT

see below in the page

VOLTAGE & LED COLOR

see here below



SUPPLY VOLTAGE AND LED COLOR

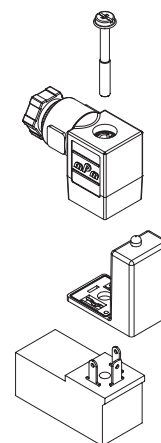
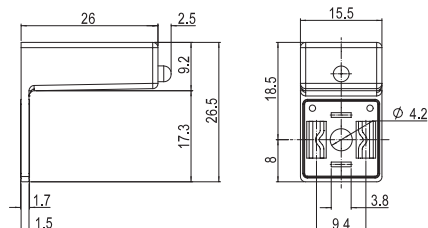
| | | | | | |
|----------|-----------|----------|-------------|----------|--------------|
| 1 = 12V | } Red LED | A = 12V | } Green LED | G = 12V | } Yellow LED |
| 2 = 24V | | B = 24V | | H = 24V | |
| 3 = 48V | | C = 48V | | K = 48V | |
| 4 = 115V | | D = 115V | | L = 115V | |
| 5 = 230V | | E = 230V | | M = 230V | |

Build your connector using the intelligent part number system and contact your local sales representative to identify the proper EDP number to use in your purchase orders

| A1 | C3 | C4 | G2 | S0 |
|--|--|---|---|---|
| | | | | |
| Bipolar LED for signal of power applied on the application | Polarized LED and blocking diode to protect against peak of overvoltage when switching off | Bipolar LED and VDR to protect against peak of overvoltage when switching off | Bipolar LED and RC circuit to dissipate energy created when switching off (not available for A01 adaptor) | Bipolar LED and Transil Diode to protect against peak of overvoltage when switching off |
| V AC - V DC | V DC | V AC - V DC | V AC - V DC | V AC - V DC |

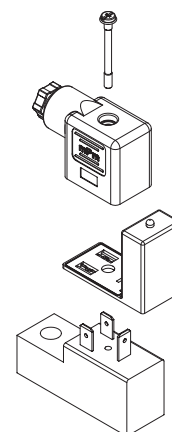
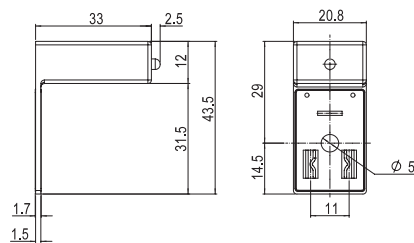
DIN Adaptors with protective circuit. The range covers the most important and common applications.

121001 Form A
121001 Industrial
121001 Form B
121001 Form Micro



Light Adaptor A01 Series for Form Micro DIN Connectors

| Poles | Circuit | Voltage | LED Color | Engineering No. | Standard Order No. |
|-------|---------|------------|-----------|-----------------|--------------------|
| 2 | C4 | 24V AC/DC | yellow | A01C4H | 121001-0024 |
| | | 115V AC/DC | yellow | A01C4L | 121001-0025 |
| | | 230V AC/DC | yellow | A01C4M | 121001-0406 |



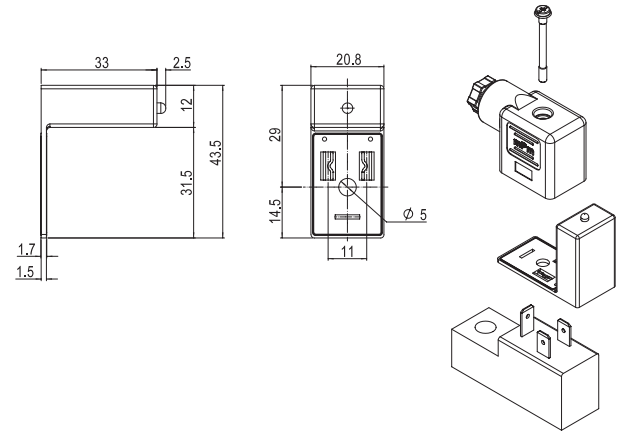
Light Adaptor A02 Series for Form Industrial DIN Connectors

| Poles | Circuit | Voltage | LED Color | Engineering No. | Standard Order No. |
|-------|---------|------------|-----------|-----------------|--------------------|
| 2 | C4 | 24V AC/DC | yellow | A02C4H | 121001-0056 |
| | | 115V AC/DC | yellow | A02C4L | 121001-0057 |
| | | 230V AC/DC | yellow | A02C4M | 121001-0058 |

DIN Adaptors with protective circuit. The range covers the most important and common applications.

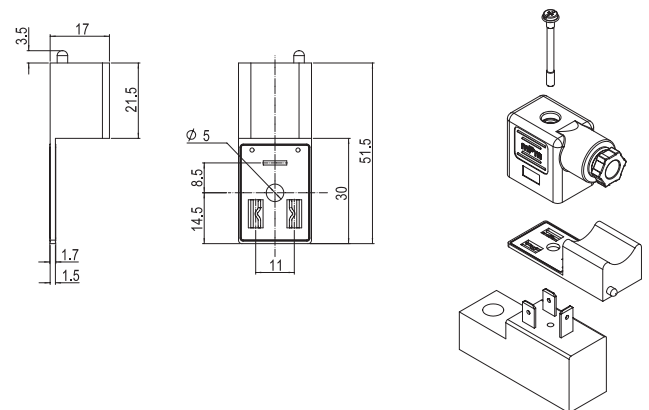
Brad® mPm® DIN Adaptors

- 121001 Form A
- 121001 Industrial
- 121001 Form B
- 121001 Form Micro



Light Adaptor A03 Series for Form Industrial DIN Connectors

| Poles | Circuit | Voltage | LED Color | Engineering No. | Standard Order No. |
|-------|---------|------------|-----------|-----------------|--------------------|
| 2 | C4 | 24V AC/DC | yellow | A03C4H | 121001-0098 |
| | | 115V AC/DC | yellow | A03C4L | 121001-0099 |
| | | 230V AC/DC | yellow | A03C4M | 121001-0100 |

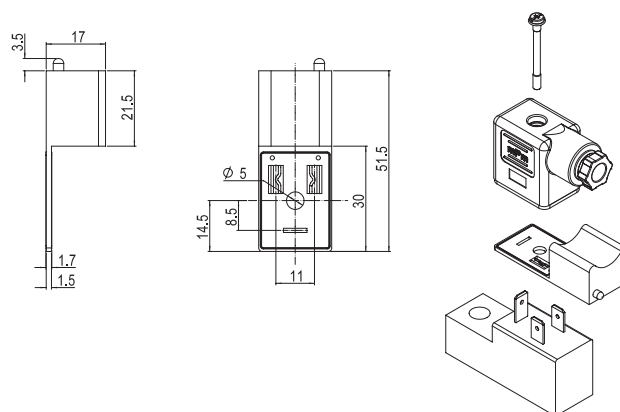


Light Adaptor A04 Series for Form Industrial DIN Connectors

| Poles | Circuit | Voltage | LED Color | Engineering No. | Standard Order No. |
|-------|---------|------------|-----------|-----------------|--------------------|
| 2 | C4 | 24V AC/DC | yellow | A04C4H | 121001-0136 |
| | | 115V AC/DC | yellow | A04C4L | 121001-0137 |
| | | 230V AC/DC | yellow | A04C4M | 121001-0138 |

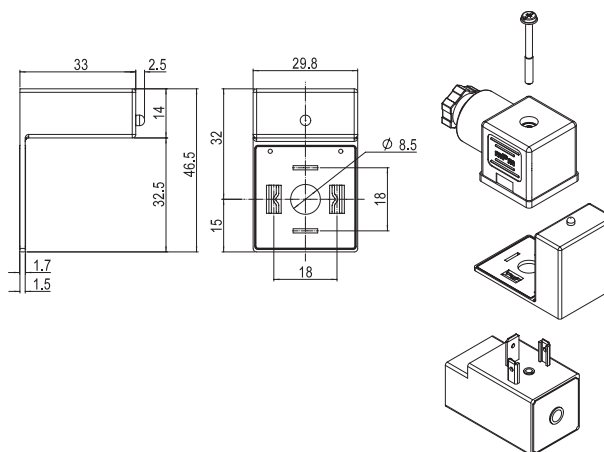
DIN Adaptors with protective circuit. The range covers the most important and common applications.

- 121001 Form A
- 121001 Industrial
- 121001 Form B
- 121001 Form Micro



Light Adaptor A05 Series for Form Industrial DIN Connectors

| Poles | Circuit | Voltage | LED Color | Engineering No. | Standard Order No. |
|-------|---------|------------|-----------|-----------------|--------------------|
| 2 | C4 | 24V AC/DC | yellow | A05C4H | 121001-0172 |
| | | 115V AC/DC | yellow | A05C4L | 121001-0438 |
| | | 230V AC/DC | yellow | A05C4M | 121001-0174 |



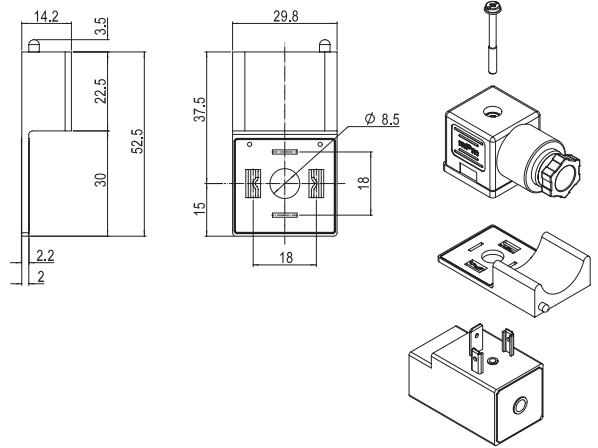
Light Adaptor A06 Series for Form A DIN Connectors

| Poles | Circuit | Voltage | LED Color | Engineering No. | Standard Order No. |
|-------|---------|------------|-----------|-----------------|--------------------|
| 2 | C4 | 24V AC/DC | yellow | A06C4H | 121001-0219 |
| | | 115V AC/DC | yellow | A06C4L | 121001-0220 |
| | | 230V AC/DC | yellow | A06C4M | 121001-0221 |

DIN Adaptors with protective circuit. The range covers the most important and common applications.

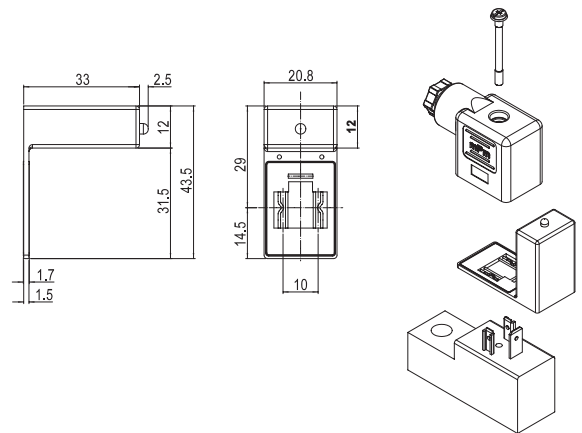
Brad® mPm® DIN Adaptors

- 121001 Form A
- 121001 Industrial
- 121001 Form B
- 121001 Form Micro



Light Adaptor A07 Series for Form A DIN Connectors

| Poles | Circuit | Voltage | LED Color | Engineering No. | Standard Order No. |
|-------|---------|------------|-----------|-----------------|--------------------|
| 2 | C4 | 24V AC/DC | yellow | A07C4H | 121001-0262 |
| | | 115V AC/DC | yellow | A07C4L | 121001-0263 |
| | | 230V AC/DC | yellow | A07C4M | 121001-0264 |

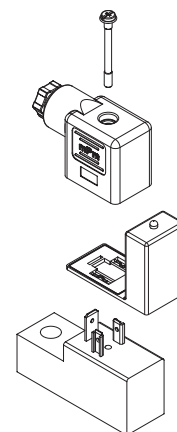
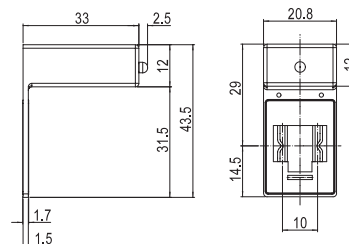


Light Adaptor A08 Series for Form B DIN Connectors

| Poles | Circuit | Voltage | LED Color | Engineering No. | Standard Order No. |
|-------|---------|------------|-----------|-----------------|--------------------|
| 2 | C4 | 24V AC/DC | yellow | A08C4H | 121001-0292 |
| | | 115V AC/DC | yellow | A08C4L | 121001-0439 |
| | | 230V AC/DC | yellow | A08C4M | 121001-0294 |

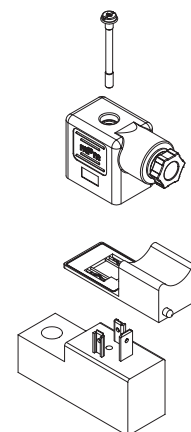
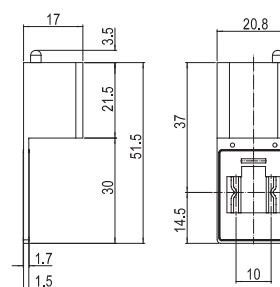
DIN Adaptors with protective circuit. The range covers the most important and common applications.

121001 Form A
121001 Industrial
121001 Form B
121001 Form Micro



Light Adaptor A09 Series for Form B DIN Connectors

| Poles | Circuit | Voltage | LED Color | Engineering No. | Standard Order No. |
|-------|---------|------------|-----------|-----------------|--------------------|
| 2 | C4 | 24V AC/DC | yellow | A09C4H | 121001-0440 |
| | | 115V AC/DC | yellow | A09C4L | 121001-0441 |
| | | 230V AC/DC | yellow | A09C4M | 121001-0327 |



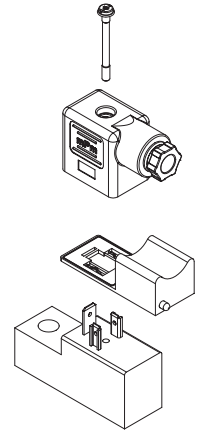
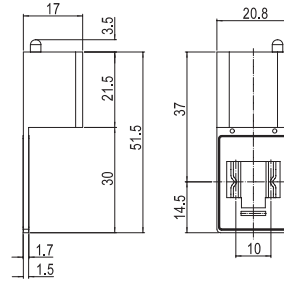
Light Adaptor A10 Series for Form B DIN Connectors

| Poles | Circuit | Voltage | LED Color | Engineering No. | Standard Order No. |
|-------|---------|------------|-----------|-----------------|--------------------|
| 2 | C4 | 24V AC/DC | yellow | A10C4H | 121001-0353 |
| | | 115V AC/DC | yellow | A10C4L | 121001-0442 |
| | | 230V AC/DC | yellow | A10C4M | 121001-0443 |

DIN Adaptors with protective circuit. The range covers the most important and common applications.

Brad® mPm® DIN Adaptors

- 121001 Form A
- 121001 Industrial
- 121001 Form B
- 121001 Form Micro



Light Adaptor A11 Series for Form B DIN Connectors

| Poles | Circuit | Voltage | LED Color | Engineering No. | Standard Order No. |
|-------|---------|------------|-----------|-----------------|--------------------|
| 2 | C4 | 24V AC/DC | yellow | A11C4H | 121001-0354 |
| | | 115V AC/DC | yellow | A11C4L | 121001-0444 |
| | | 230V AC/DC | yellow | A11C4M | 121001-0445 |

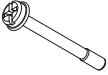
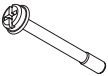
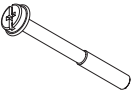
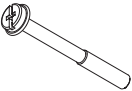
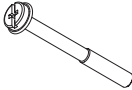
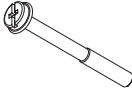
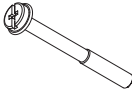
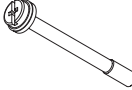
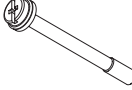
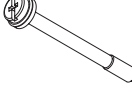
Gasket and screws, bagged spare parts for DIN valve connectors. Spare parts are developed specifically for and can be used only with Brad mPm DIN valve connectors.

121129 DIN Valve Connector
Spare Parts

| | Gasket Type | For Connectors | Material | Standard Order No. | Packaging Style |
|---|-------------|--|----------|--------------------|----------------------------|
|  | Non loosing | Form A with retention feature | NBR | 121129-0334 | 1 Unit = 1 Bag with 100pcs |
| | Non loosing | | Silicone | 121129-0289 | 1 Unit = 1 Bag with 50pcs |
|  | Non loosing | Form Industrial with retention feature | NBR | 121129-0264 | 1 Unit = 1 Bag with 50pcs |
| | Non loosing | | Silicone | 121129-0296 | 1 Unit = 1 Bag with 50pcs |
|  | Profile | Form A | NBR | 121129-0080 | 1 Unit = 1 Bag with 100pcs |
| | Profile | | Silicone | 121129-0081 | 1 Unit = 1 Bag with 100pcs |
|  | Flat | Form A | NBR | 121129-0078 | 1 Unit = 1 Bag with 100pcs |
| | Flat | | Silicone | 121129-0079 | 1 Unit = 1 Bag with 100pcs |
|  | Profile | Form B and Industrial | NBR | 121129-0084 | 1 Unit = 1 Bag with 100pcs |
| | Profile | | Silicone | 121129-0085 | 1 Unit = 1 Bag with 100pcs |
|  | Flat | Form Industrial | NBR | 121129-0082 | 1 Unit = 1 Bag with 100pcs |
| | Flat | | Silicone | 121129-0083 | 1 Unit = 1 Bag with 100pcs |
|  | Flat | Form B | NBR | 121129-0112 | 1 Unit = 1 Bag with 100pcs |
| | Flat | | Silicone | 121129-0113 | 1 Unit = 1 Bag with 100pcs |
|  | Profile | Form C and Micro | NBR | 121129-0098 | 1 Unit = 1 Bag with 100pcs |
| | Profile | | Silicone | 121129-0099 | 1 Unit = 1 Bag with 100pcs |
|  | Flat | Form Micro | NBR | 121129-0096 | 1 Unit = 1 Bag with 100pcs |
| | Flat | | Silicone | 121129-0097 | 1 Unit = 1 Bag with 100pcs |
|  | Flat | Form C | NBR | 121129-0118 | 1 Unit = 1 bag with 100pcs |
| | Flat | | Silicone | 121129-0119 | 1 Unit = 1 Bag with 100pcs |

Gasket and screws, bagged spare parts for DIN valve connectors. Spare parts are developed specifically for and can be used only with Brad mPm DIN valve connectors.

121129 DIN Valve Connector
Spare Parts

| | Screw Type | Length | Note | Standard Order No. | Packaging Style |
|---|------------|---------|--|--------------------|----------------------------|
|  | M2.5 | 22.50mm | Steel - Zinc plated | 121129-0033 | 1 Unit = 1 Bag with 100pcs |
|  | M2.5 | 25.00mm | Steel - Zinc plated | 121129-0002 | 1 Unit = 1 Bag with 100pcs |
|  | M3 | 20.00mm | Steel - Zinc plated | 121129-0030 | 1 Unit = 1 Bag with 100pcs |
|  | M3 | 25.00mm | Steel - Zinc plated | 121129-0007 | 1 Unit = 1 Bag with 100pcs |
|  | M3 | 27.00mm | Steel - Zinc plated | 121129-0010 | 1 Unit = 1 Bag with 100pcs |
|  | M3 | 29.00mm | Steel - Zinc plated | 121129-0001 | 1 Unit = 1 Bag with 100pcs |
|  | M3 | 31.00mm | Steel - Zinc plated | 121129-0003 | 1 Unit = 1 Bag with 100pcs |
|  | M3 | 27.00mm | Steel - Zinc plated With additional sealing grommet | 121129-0237 | 1 Unit = 1 Bag with 100pcs |
|  | M3 | 30.00mm | Steel - Zinc plated With additional sealing grommet | 121129-0069 | 1 Unit = 1 Bag with 100pcs |
|  | M3 | 31.00mm | Steel - Zinc plated With additional sealing grommet | 121129-0262 | 1 Unit = 1 Bag with 100pcs |

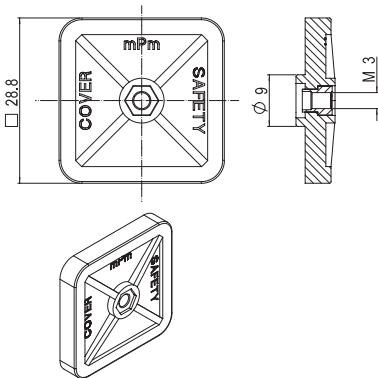
Gasket and screws, bagged spare parts for DIN valve connectors. Spare parts are developed specifically and can be used only with mPm DIN valve connectors.

1210130006 Cover cap for form A connector

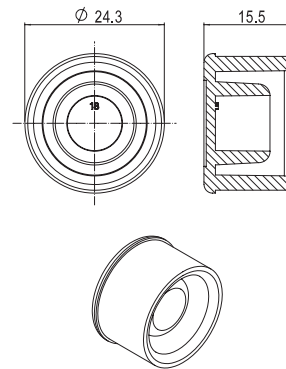
1211230038 Cover cap for form A bases

1211220400 Adaptor for corrugated tube on form A

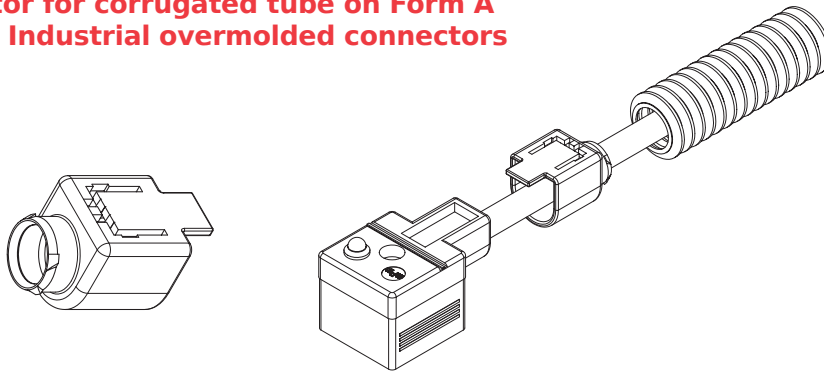
121013-0006 Cover cap for Form A Connector



121123-0038 Cover cap for Form A Bases

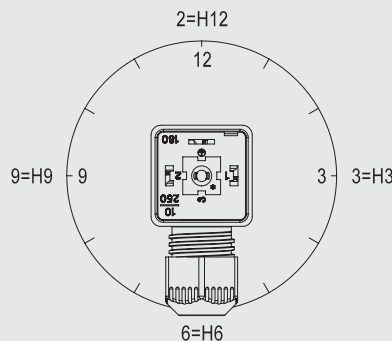


121122-0400 Adaptor for corrugated tube on Form A and B Industrial overmolded connectors



Ground PIN Position

Ground PIN position must be specified. For the range of Brad mPm DIN valve connectors the position is noted looking at the face view of the connector with the cable gland (or cable exit) down below. In the H6 position the ground pin is at the bottom. In the H12 position the ground pin is at the top. Please note that the ground PIN position can be rotated 90° or 180° depending on the connector type.



For additional information on Molex Brad product range please request a copy of the Molex Brad Automation Catalogue from your local Sales representative.

All dimensions and product information included in this catalogue are for reference only. More detailed sales drawings are available for download on www.molex.com or upon request from your local Sales representative.

From time to time Molex reserves the right to add new part numbers or obsolete part numbers based on market demand, please check availability on www.molex.com.

Get more insights at: www.molex.com/link/mpm.html